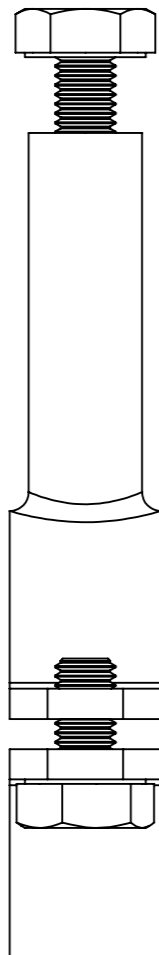


8 7 6 5 4 3 2 1

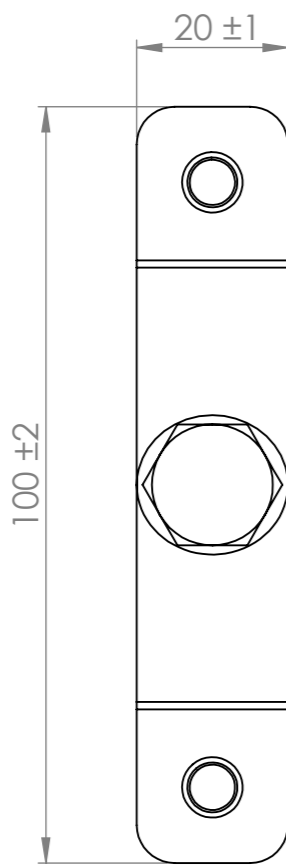
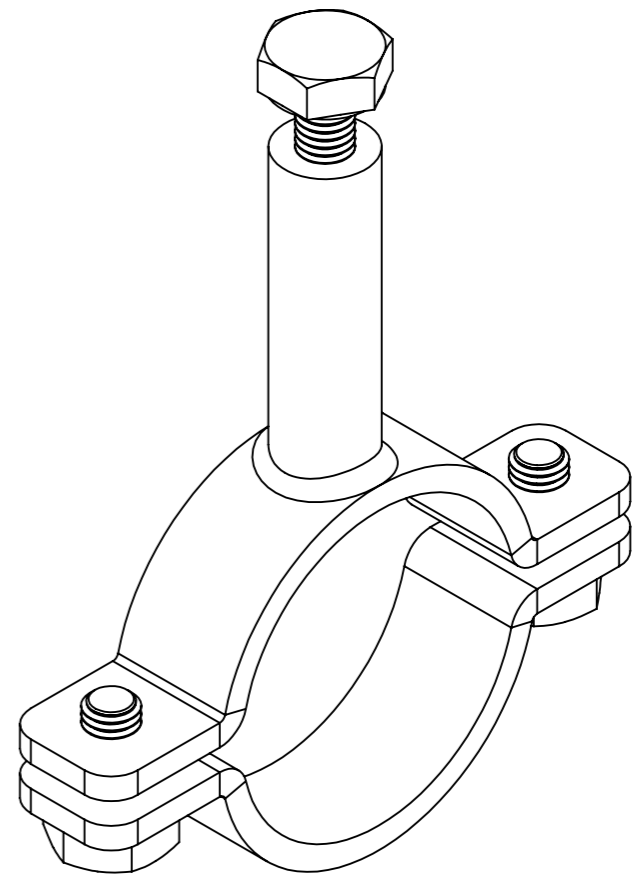
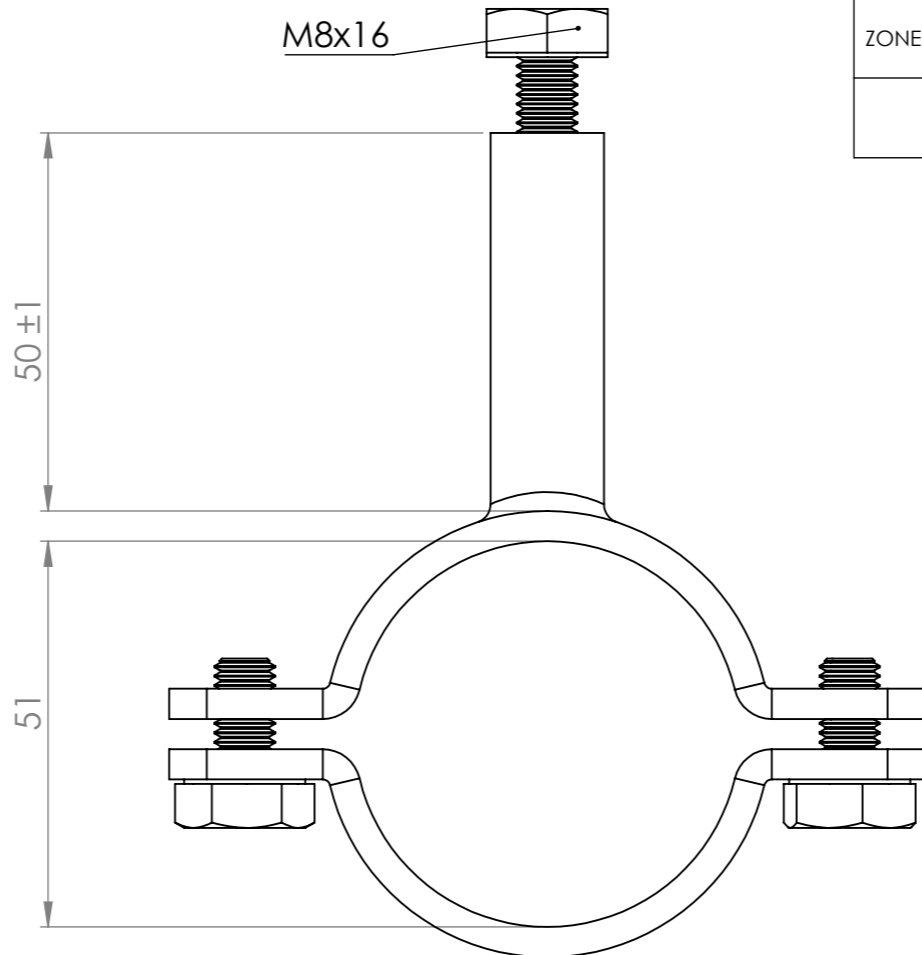
REVISIONS				
ZONE	REV.	DESCRIPTION	DATE	APPROVED
	E	Changed name from Tube clamp to Pipe clamp	2021-05-06	svma

F  
E  
D  
C  
B  
A

F  
E  
D  
C  
B  
A



M8x16



Part No.	Material
7100-278	Zinc Plated
7200-278	Zinc/Nickel
7300-278	AISI 316L



DWG NO. / ART NO. C-0008925-01	Version E.1	Material	Finish / Color	Created By svma
Description Pipe Clamp $\phi$ 51 D50	Part-ID Default(7000-278)	Sheet Name Sheet1	Created. 2017-10-04	
Unless otherwise specified: SS-ISO 2768-1 MEDIUM	Drawing-ID 7000-278-KR	Sheet A3	Changed. 2021-05-06	svma
	Weight (calculated) 261.87 g	Scale 1:1		

8 7 6 5 4 3 2 1