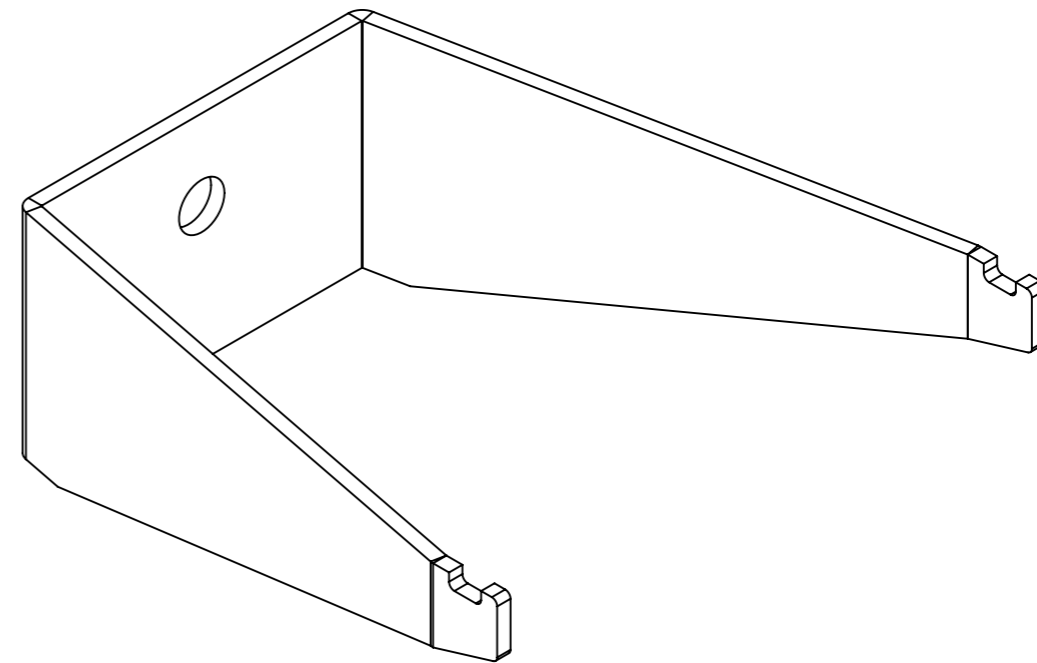
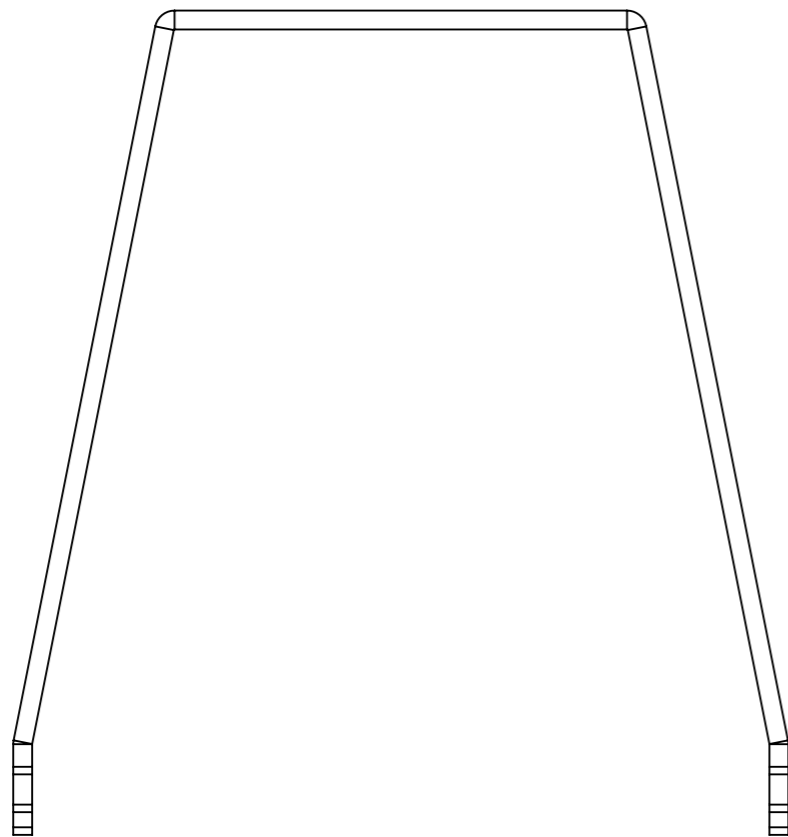
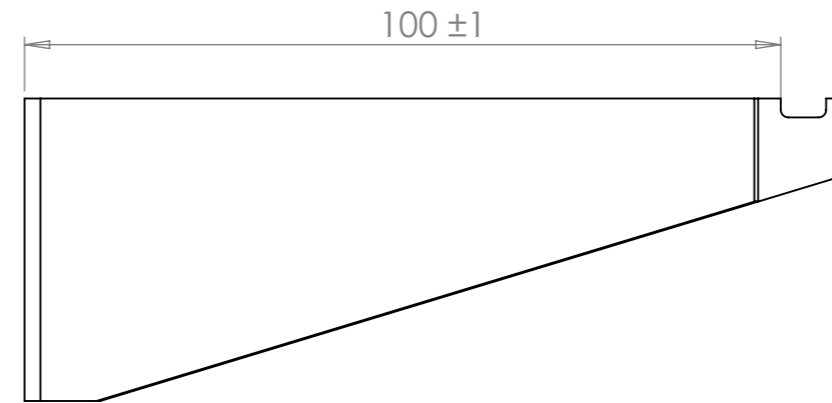
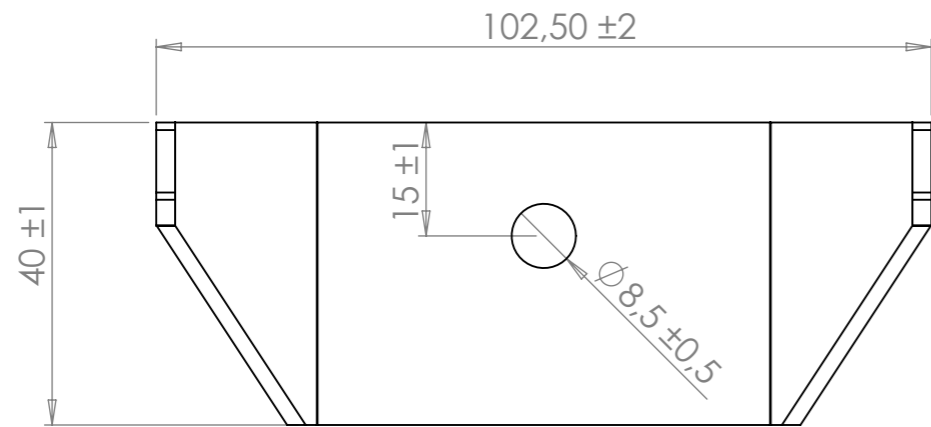


Rev no	Revision note	Date	Created by	Approved by



Article number	Material	Surface	Drawing number	SCALE:2:1	Sheet A3
7300-155	Acid proof AISI 316L		KR7300-155 B11-10	Date 19-05-2015	Created by Magnus Svensson
			Description X10 Welding Bracket D100	Approved by	
Drawing and design is the copyright of Axelent Wire Tray AB and must not be copied without prior consent				WEIGHT: 0,15KG	
Unless otherwise specified: Dimensions in MM					