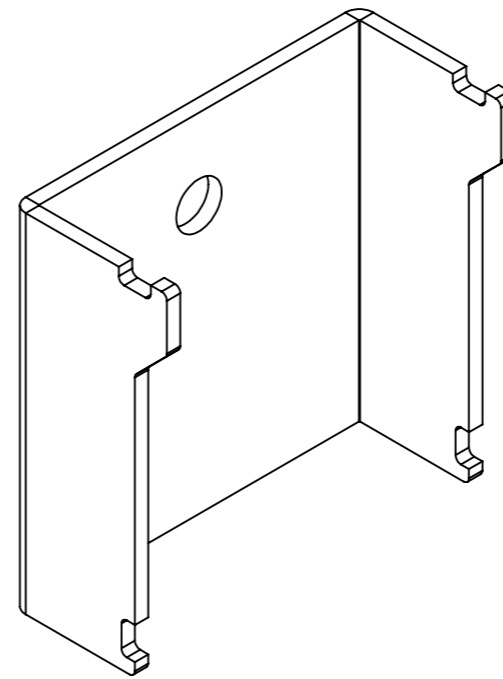
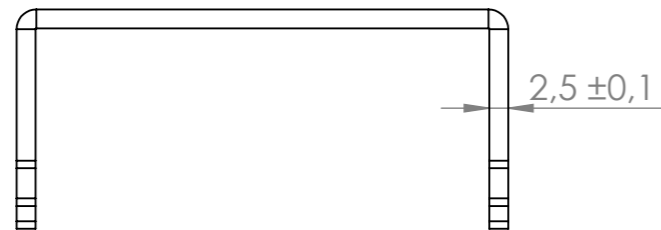
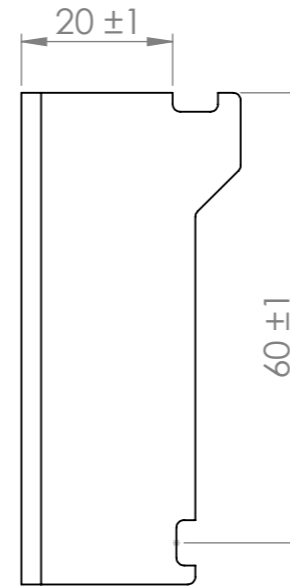
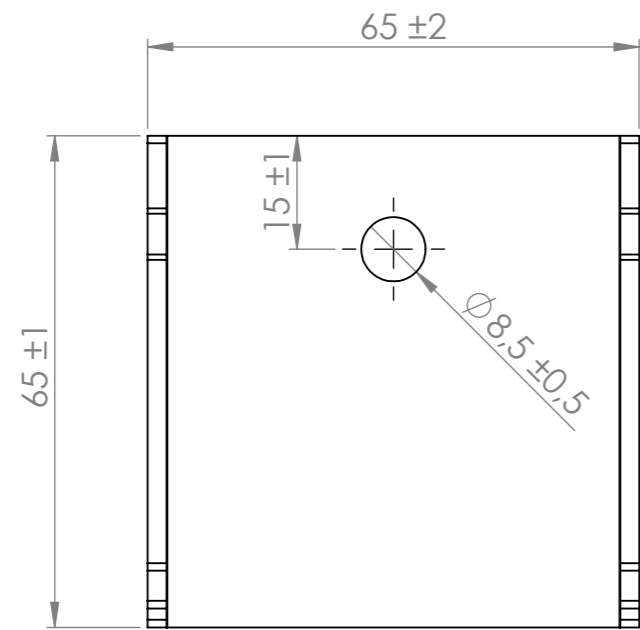



Warning: This drawing and associated computer data is the property and copyright of Axelent AB Sweden. These must not be copied, brought to the knowledge of a third party or used without our written authorization.



Part number	E-Number	Surface
7300-148	1132982	Acid Proof AISI 316L

Dimensions not stated on drawing see valid 3D model.		Unless otherwise specified; SS-ISO 2768-1 MEDIUM		Inspection characteristics.	
© 2020 Axelent AB  Axelent AB +46 (0)370 37 37 30 Hillerstorp, Sweden	C-number		Material	Finish / Color	Created By
	Description		Part / Assembly-ID	Rev.	Sheet Name
	X10 Welding Bracket 60 D20		Default(7000-151)	A.0	Sheet1
			Drawing-ID	Rev.	Sheet
		7000-148-KR	A.1	A3	Changed
		Weight (calculated)	Scale		2021-03-17
		0 g	1:1		svma

