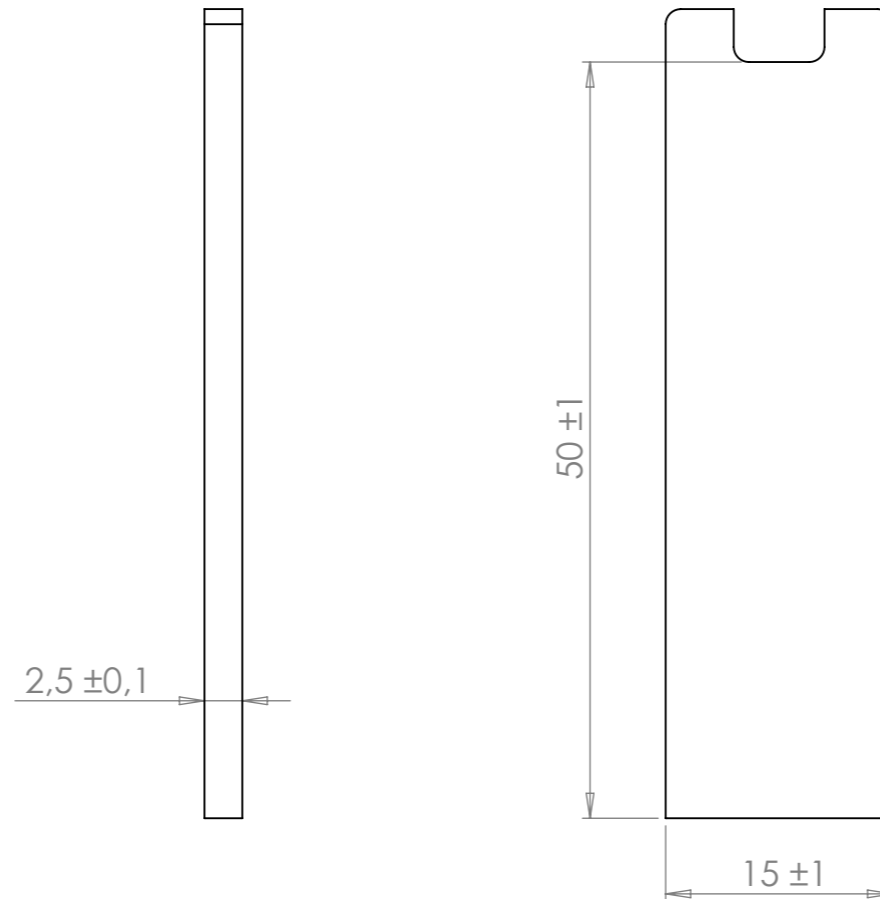
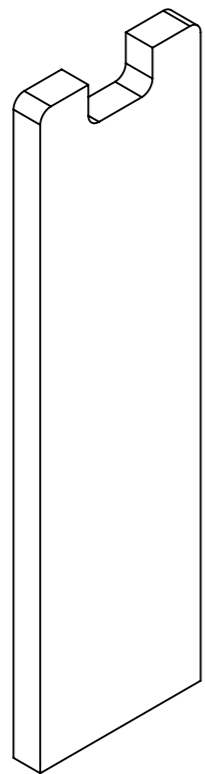


Rev no	Revision note	Date	Created by	Approved by



Article number	Material	Surface	Drawing number	SCALE:1:20	Sheet A3
7300-145	Acid proof AISI 316L		KR7000-145 B10-10	Date 24-04-2015	
			Description Welding Bracket Flat D20	Created by Magnus Svensson	Approved by
			Drawing and design is the copyright of Axelent Wire Tray AB and must not be copied without prior consent	WEIGHT: 0,015KG	
			Unless otherwise specified: Dimensions in MM		