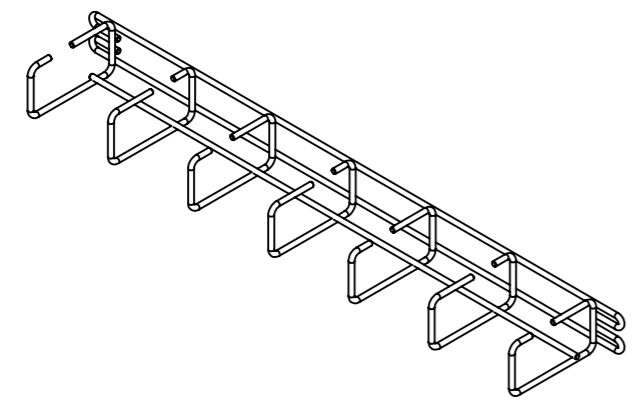
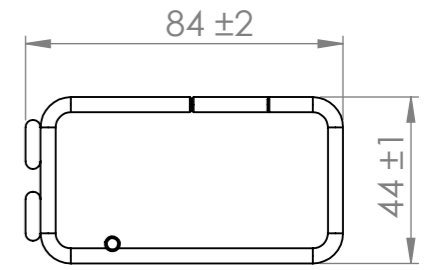
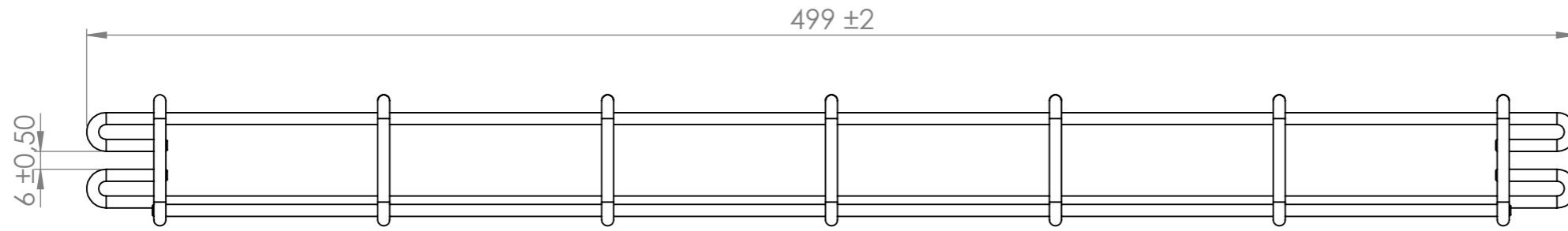
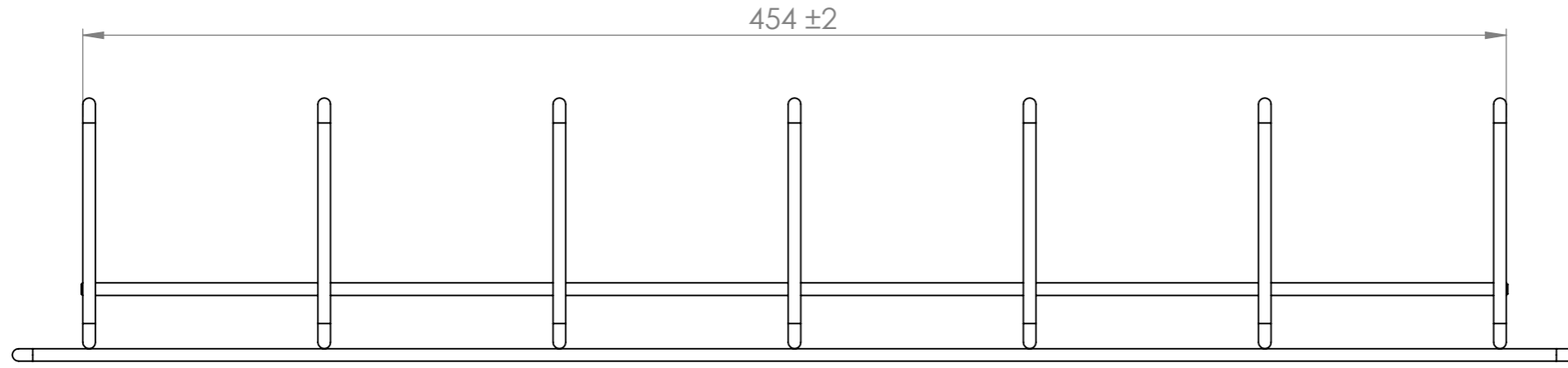



Warning: This drawing and associated computer data is the property and copyright of Axelent AB Sweden. These must not be copied, brought to the knowledge of a third party or used without our written authorization.



Part Number	E-Number	Surface
7100-054	1133495	Zinc plated DIN 50961
7200-054		Hot dip galvanized DIN 50976
7300-054		Acid proof AISI 316L
7700-054		Black Zinc Fe/Zn8/P4

Dimensions not stated on drawing see valid 3D model. Unless otherwise specified; SS-ISO 2768-1 MEDIUM Inspection characteristics.

 Axelent AB +46 (0)370 37 37 30 Hillerstorp, Sweden	C-number C-0008809-01	Material	Finish / Color	Created By svma
	Description Cable Duct 19"	Part / Assembly-ID Default(7000-054)	Rev. B.2 Sheet Name Sheet1	Created 2021-05-21
		Drawing-ID 7000-054-KR	Rev. A.0 Sheet A3	Changed 2021-05-21 svma
		Weight (calculated) 0 g	Scale 1:2	

