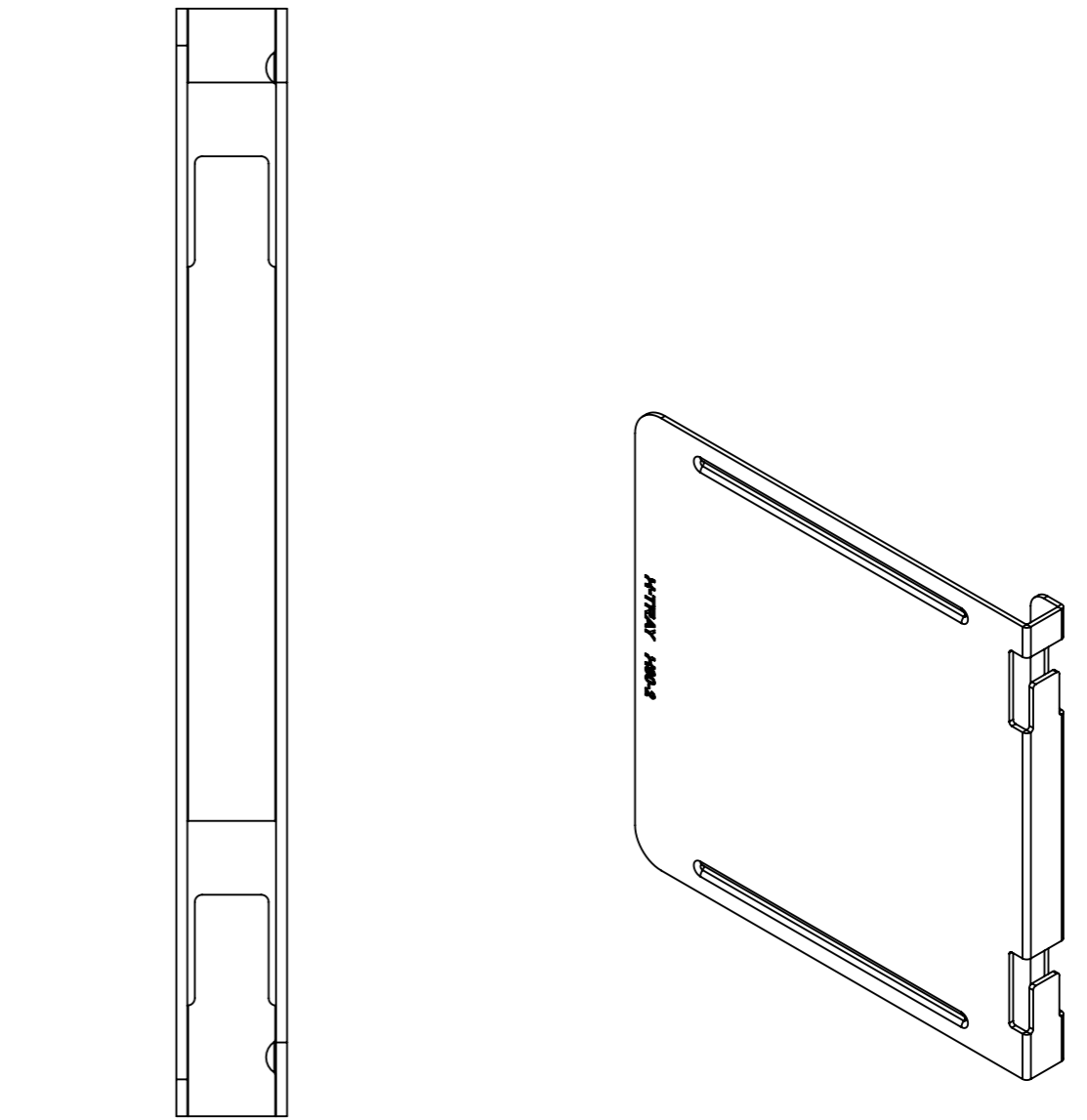
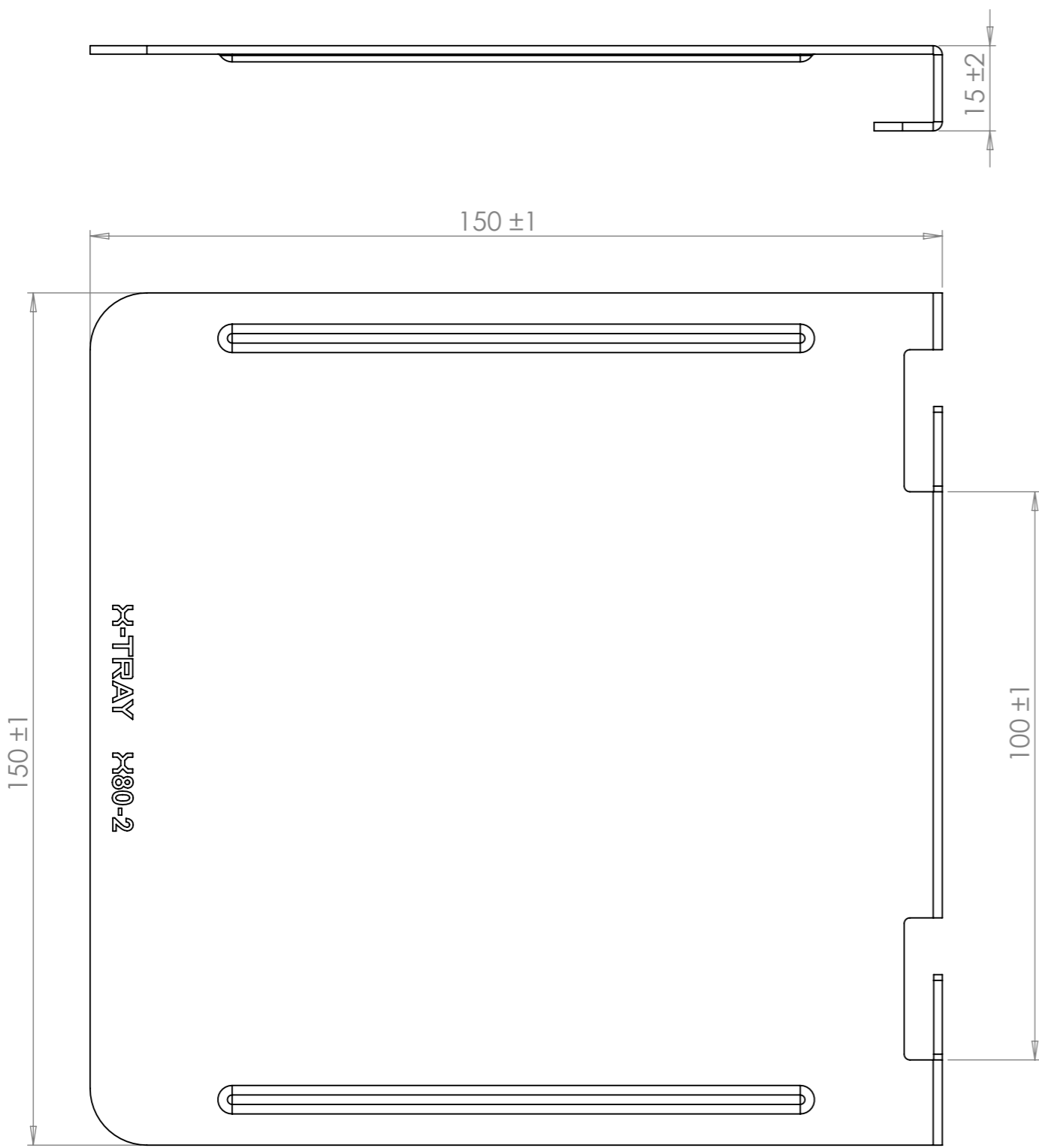


Attention:
Stamping and embossings are not included in part number: 2380-2

REVISIONS				
ZONE	REV.	DESCRIPTION	DATE	APPROVED
	C	E-number added	2019-07-30	joan
	D	Inserted an attention box	2019-11-27	Klan



Part Number	E-number	Type
2180-2	1132924	Zink Plated DIN 50961
2280-2	1132925	Hot Dip galvanized DIN 50979
2380-2	1132926	Acid Proof AISI 316L
2780-2	1132927	Black Zinc Fe/Zn8/P4



C-number	Description
	X80 Side Accessories Holder Without Holes
Unless otherwise specified: SS-ISO 2768-1 MEDIUM	

Material	Domex 240	Finish / Color		Created By	svma
Part / Assembly-ID	Default(A-0008673)	Rev.	C.0	Sheet Name	Sheet1
Drawing-ID	KR-2080-2	Rev.	D.1	Sheet	A3
Weight (calculated)	291 g	Scale	1:2	Created	2015-12-16
				Changed	2019-11-27
					Klan

