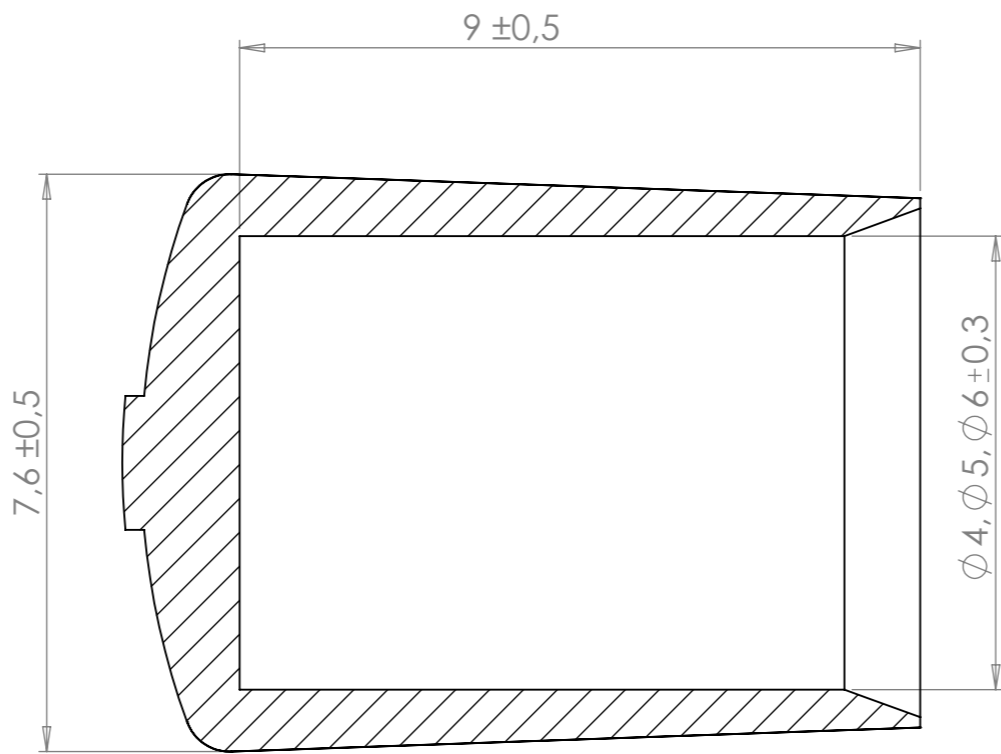
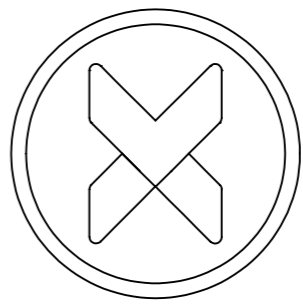
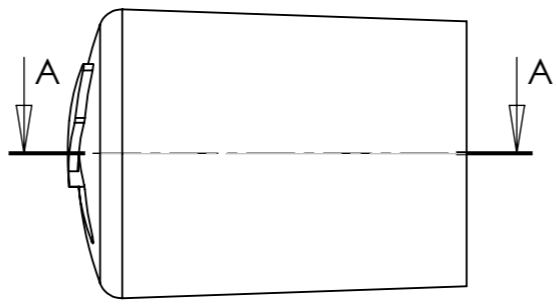
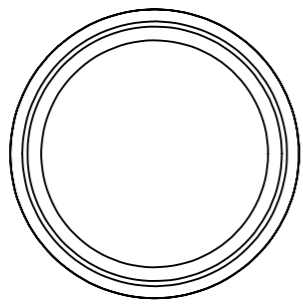
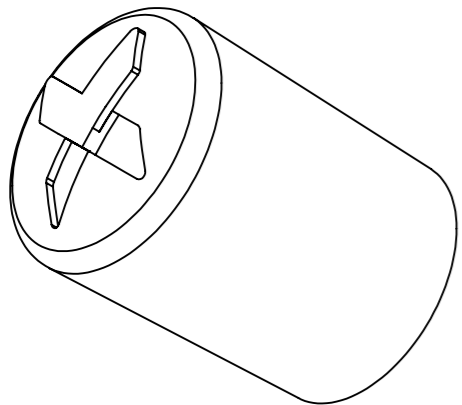


8 7 6 5 4 3 2 1

REVISIONS				
ZONE	REV.	DESCRIPTION	DATE	APPROVED
	B	E-number added	2019-07-30	joan



SECTION A-A  
SCALE 10 : 1



F  
E  
D  
C  
B  
A

F  
E  
D  
C  
B  
A

Article number	E-number	Inside dimension	Type
2572-4	1133376	4 mm	Plastic Halogen free
2572-5	1133377	5 mm	Plastic Halogen free
2572-6	1133378	6 mm	Plastic Halogen free



C-number <b>C-0005809-01</b>	Material	Finish / Color	Created By <b>suem</b>
Description <b>X72 Safety Cap</b>	Part / Assembly-ID <b>Default(A-0005143)</b>	Rev. Sheet Name <b>A.0 Sheet1</b>	Created <b>2011-08-24</b>
Unless otherwise specified: SS-ISO 2768-1 MEDIUM	Drawing-ID <b>KR-2072</b>	Rev. Sheet <b>B.1 A3</b>	Changed <b>2019-07-30 joan</b>
	Weight (calculated) <b>0 g</b>	Scale <b>5:1</b>	



8 7 6 5 4 3 2 1