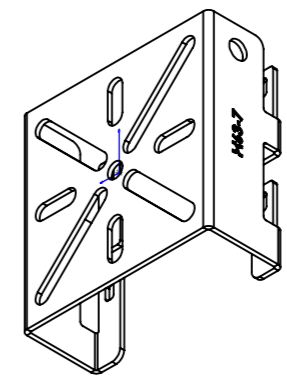
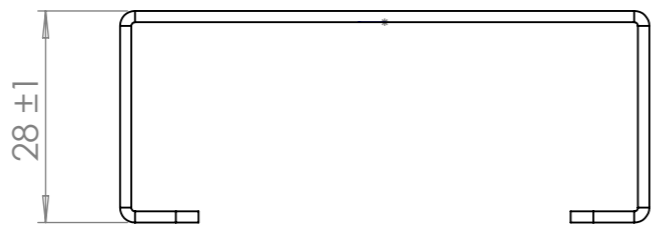
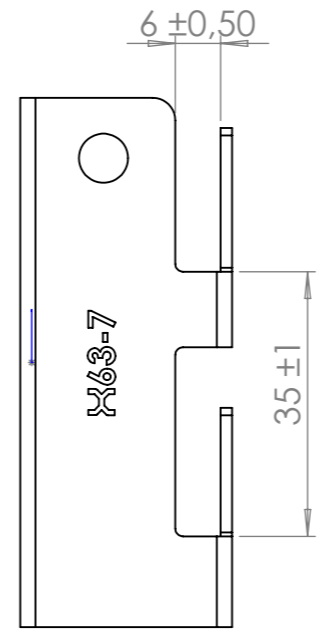
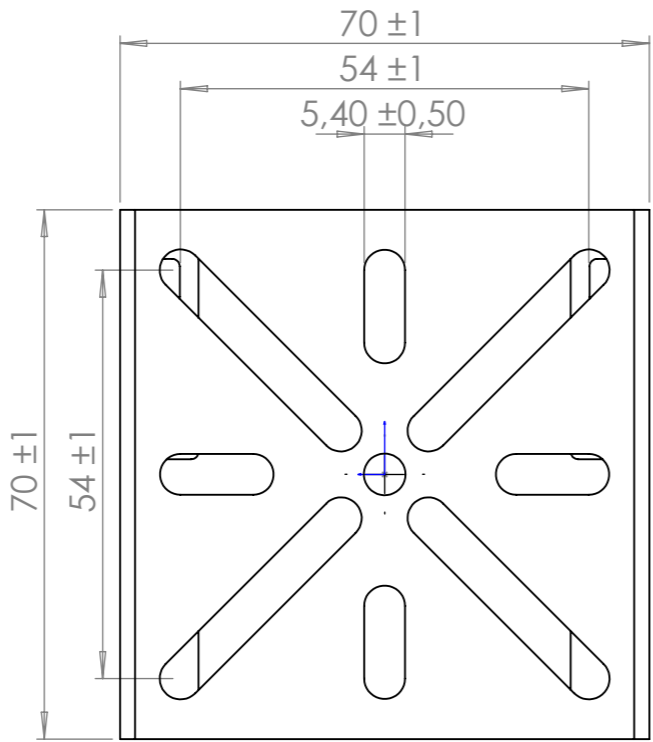


REVISIONS				
ZONE	REV.	DESCRIPTION	DATE	APPROVED
	E	E-number	2019-07-29	joan



Part Number	E-number	Type
2163-7	1133601	Zink Plated DIN 50961
2263-7	1133602	Hot Dip galvanized DIN 50979
2363-7	1133603	Acid Proof AISI 316L
2763-7	1133604	Black Zinc Fe/Zn8/P4



C-number C-0005446-01	Material Domex 240	Finish / Color	Created By svma
Description X63 Accessories Holder Mini	Part / Assembly-ID Default(A-0003654)	Rev. D.1	Sheet Name Sheet1
Unless otherwise specified: SS-ISO 2768-1 MEDIUM	Drawing-ID KR-2063-7	Rev. E.1	Sheet A3
	Weight (calculated) 87 g	Scale 1:1	Changed 2019-07-29 joan



