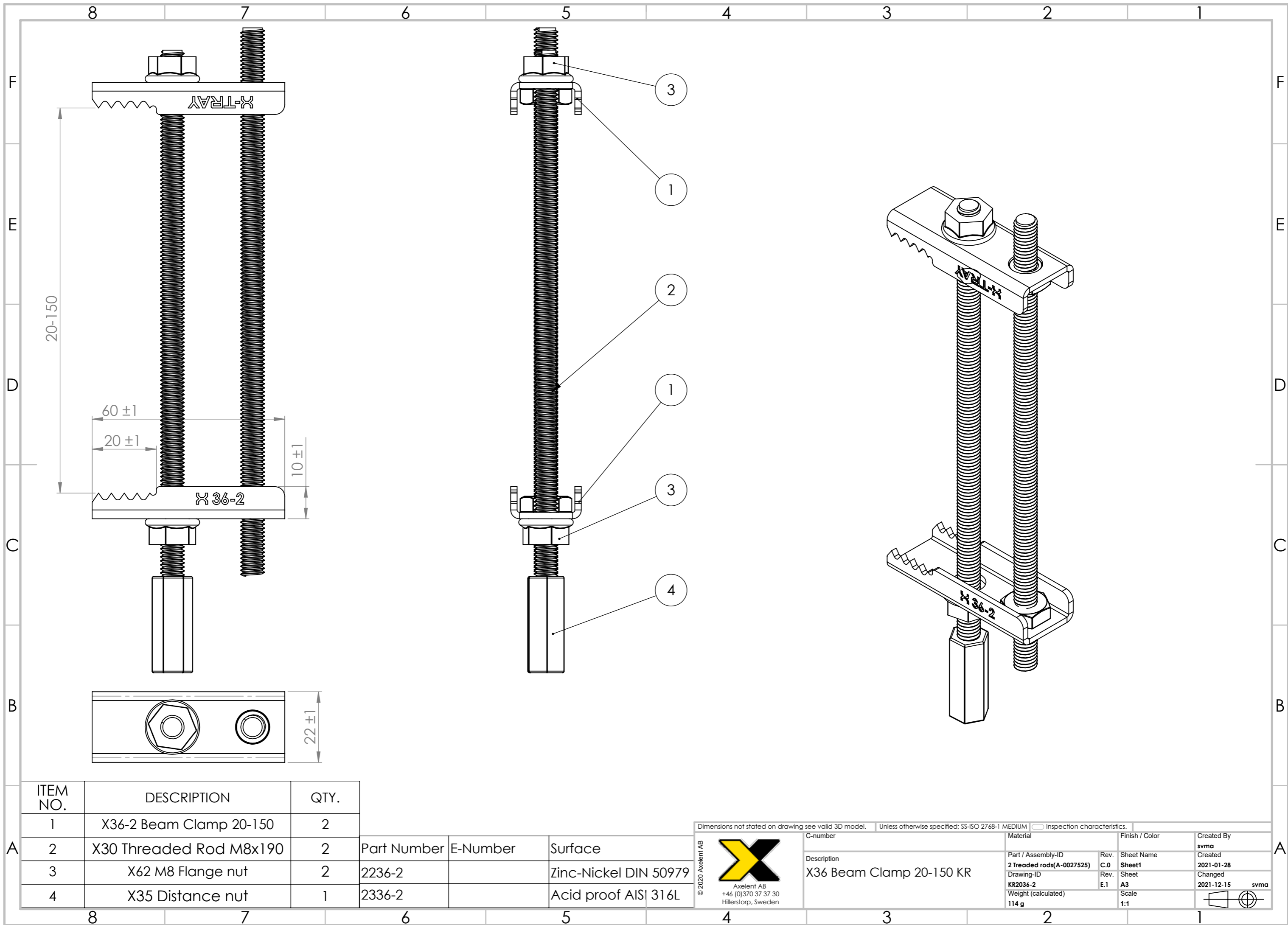


Warning: This drawing and associated computer data is the property and copyright of Axelent AB Sweden. These must not be copied, brought to the knowledge of a third party or used without our written authorization.



ITEM NO.	DESCRIPTION	QTY.
1	X36-2 Beam Clamp 20-150	2
2	X30 Threaded Rod M8x190	2
3	X62 M8 Flange nut	2
4	X35 Distance nut	1

Part Number	E-Number	Surface
2236-2		Zinc-Nickel DIN 50979
2336-2		Acid proof AISI 316L

Dimensions not stated on drawing see valid 3D model. Unless otherwise specified; SS-ISO 2768-1 MEDIUM Inspection characteristics.

 Axelent AB +46 (0)370 37 37 30 Hillerstorp, Sweden	C-number		Material		Finish / Color		Created By	
	Description		Part / Assembly-ID		Rev.		Sheet Name	
	X36 Beam Clamp 20-150 KR		2 Treaded rods(A-0027525)		C.0		Sheet1	
			Drawing-ID		Rev.		Sheet	
		KR2036-2		E.1		A3		
		Weight (calculated)		Scale		1:1		
		114 g						
						Created 2021-01-28 Changed 2021-12-15 svma		