

8 7 6 5 4 3 2 1

F F

E E

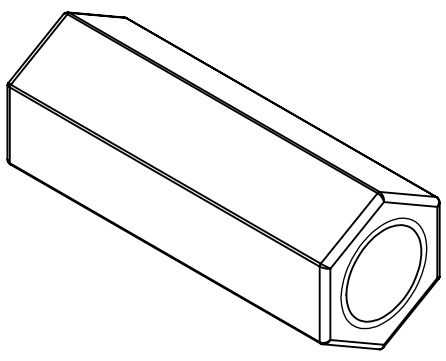
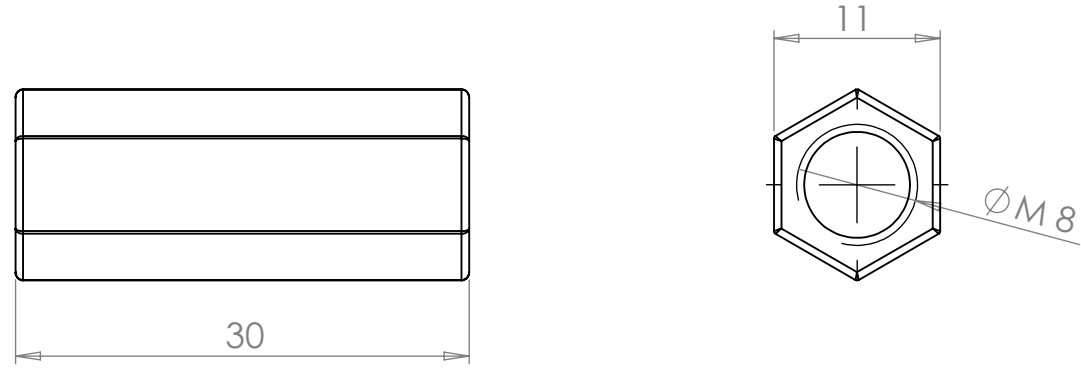
D D

C C

B B

A A

REVISIONS				
ZONE	REV.	DESCRIPTION	DATE	APPROVED
	B	E-number added	2019-07-25	joan



Article number	E-number	Type
2135	1133238	Zink plated DIN 50961
2235	1133290	Zinc-Nickel DIN 50979
2335	1133344	Acid proof AISI 316L
2735	1133408	Black Zinc Fe/Zn8/P4



C-number C-0005674-01
Description X35 TR Distance Nut
Unless otherwise specified: SS-ISO 2768-1 MEDIUM

Part / Assembly-ID	Rev.	Sheet Name	Created By
Default(A-0004735)	A.0	Sheet1	suem
Drawing-ID	Rev.	Sheet	Created
KR2035	B.1	A3	2011-08-03
Weight (calculated)	Scale		Changed
0140 g	2:1		2019-07-25
			joan



8 7 6 5 4 3 2 1