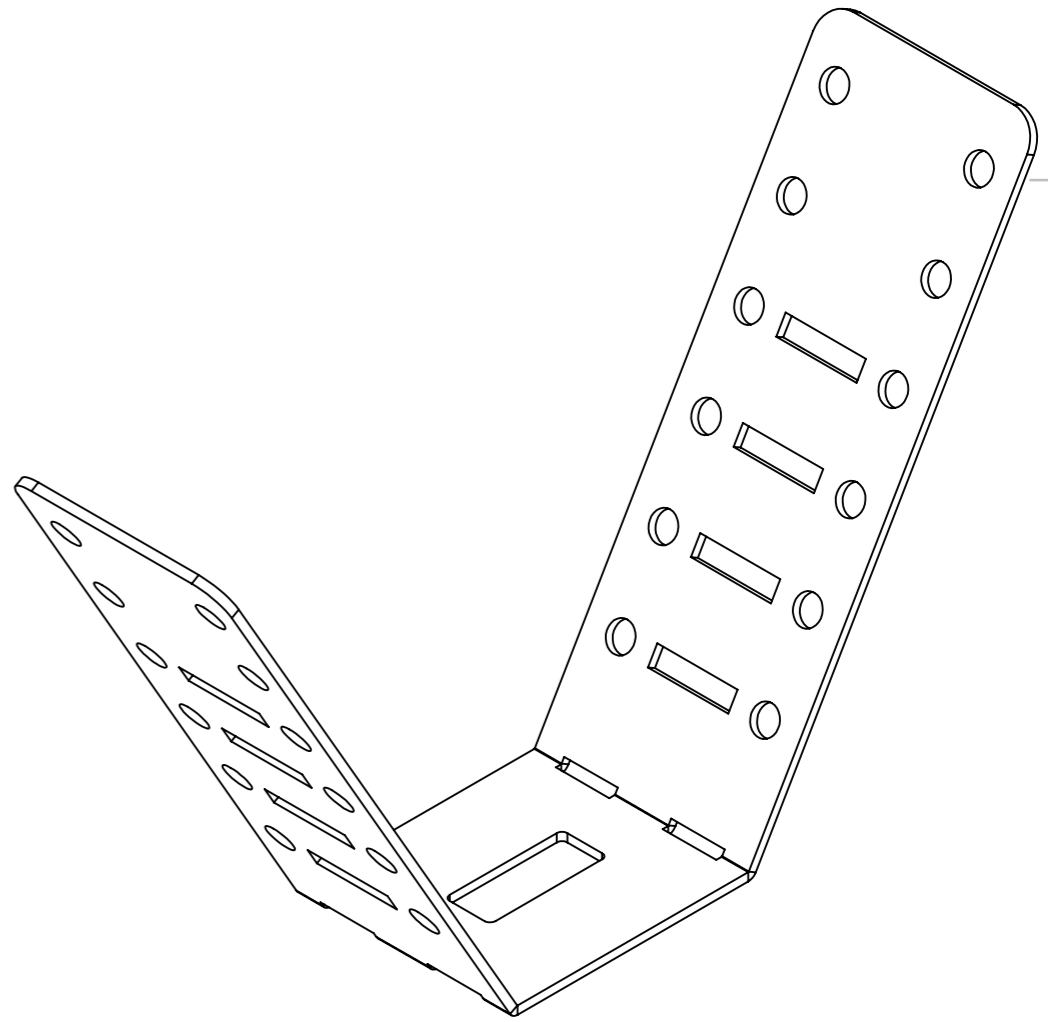
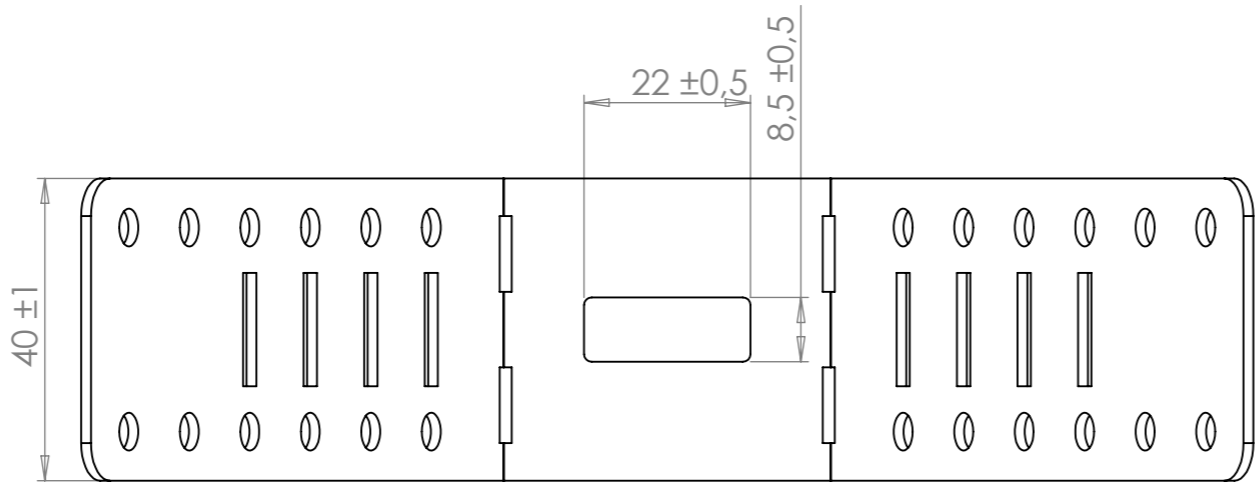
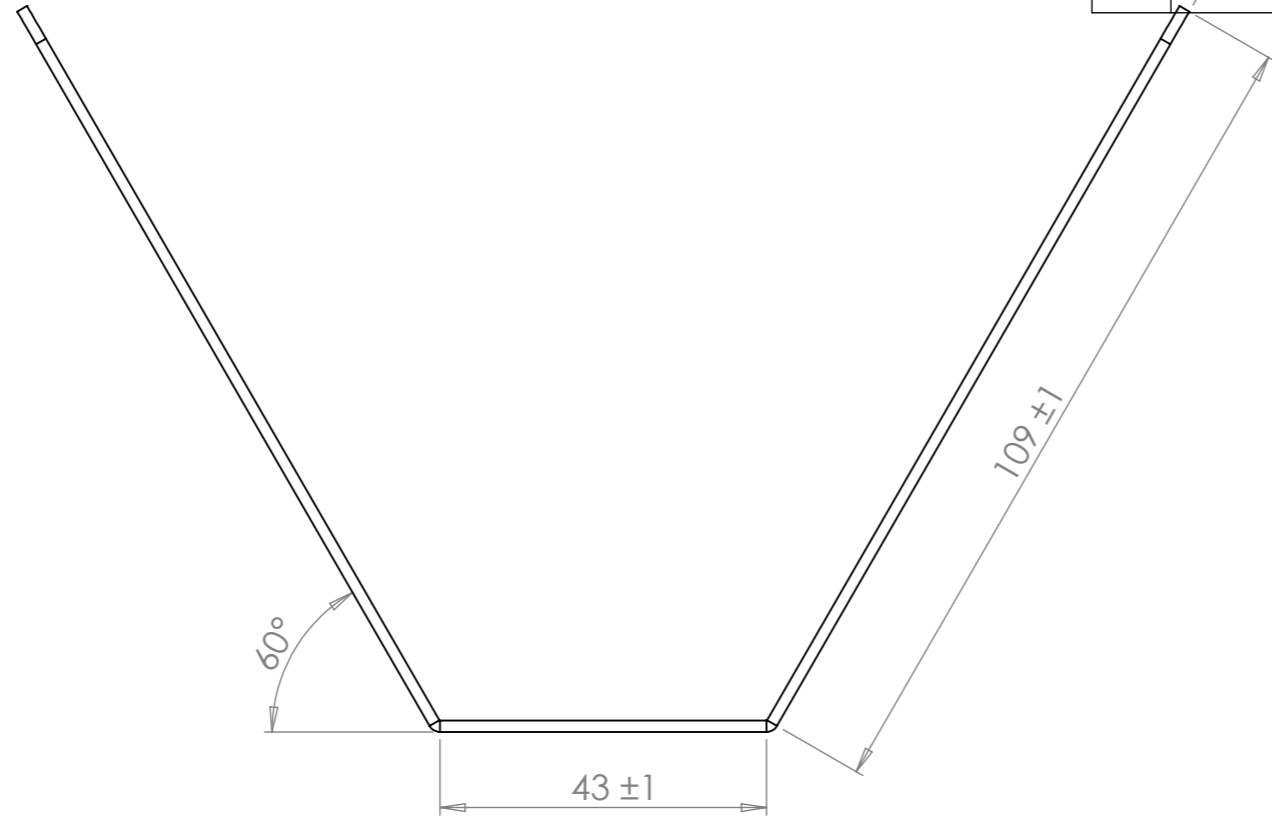
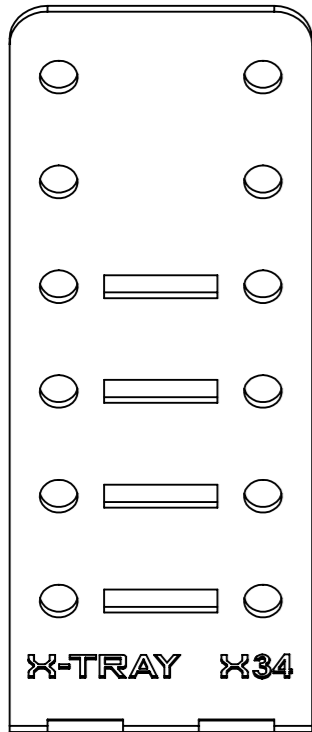


8 7 6 5 4 3 2 1

REVISIONS				
ZONE	REV.	DESCRIPTION	DATE	APPROVED
	<del>B</del>	E-number added	2019-07-25	joan



A

Article number	E-number	Type
2234	1132928	Sendzimir
2334	1132929	Acid proof AISI 316L



C-number <b>C-0005671-01</b>	Material	Finish / Color	Created By <b>suem</b>
Description <b>X34 Ceiling Bracket</b>	Part / Assembly-ID <b>Default(A-0004732)</b>	Rev. <b>A.0</b> Sheet Name <b>Sheet1</b>	Created <b>2014-10-10</b>
Unless otherwise specified: SS-ISO 2768-1 MEDIUM	Drawing-ID <b>KR2034</b>	Rev. <b>B.1</b> Sheet <b>A3</b>	Changed <b>2019-07-25</b> <b>joan</b>
	Weight (calculated) <b>100 g</b>	Scale <b>1:1</b>	

Part / Assembly-ID <b>Default(A-0004732)</b>	Rev. <b>A.0</b> Sheet Name <b>Sheet1</b>	Created <b>2014-10-10</b>
Drawing-ID <b>KR2034</b>	Rev. <b>B.1</b> Sheet <b>A3</b>	Changed <b>2019-07-25</b> <b>joan</b>
Weight (calculated) <b>100 g</b>	Scale <b>1:1</b>	

8 7 6 5 4 3 2 1