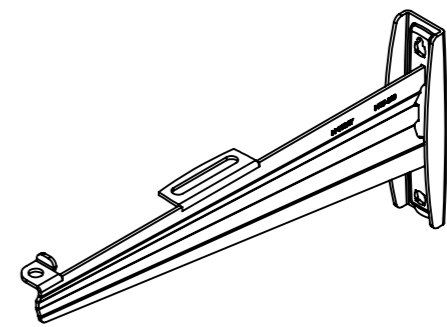
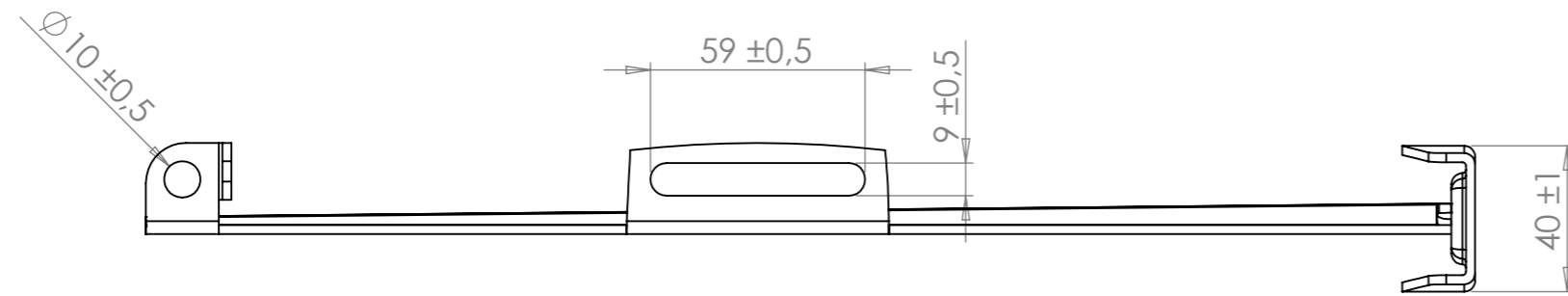


| REVISIONS | | | | |
|-----------|------|----------------|------------|----------|
| ZONE | REV. | DESCRIPTION | DATE | APPROVED |
| | D | E-number added | 2019-07-31 | joan |



| Part Number | E-number | Type |
|-------------|----------|------------------------------|
| 2115-320 | 1133228 | Zink Plated DIN 50961 |
| 2215-320 | 1133280 | Hot Dip galvanized DIN 50979 |
| 2315-320 | 1133334 | Acid Proof AISI 316L |
| 2715-320 | 1133398 | Black Zinc Fe/Zn8/P4 |

© 2018 Axelent AB



| |
|--|
| C-number C-0007393-01 |
| Description X15 Cantilever 320 |
| Unless otherwise specified: SS-ISO 2768-1 MEDIUM |

| | | |
|--|----------------|-------------------------------|
| Material | Finish / Color | Created By |
| Part / Assembly-ID Default(A-0008739) | Rev. C.1 | svma |
| Drawing-ID KR-2015-320 | Rev. D.1 | Created 2011-12-21 |
| Weight (calculated) 631 g | Scale 1:20 | Changed 2019-07-31 joan |

