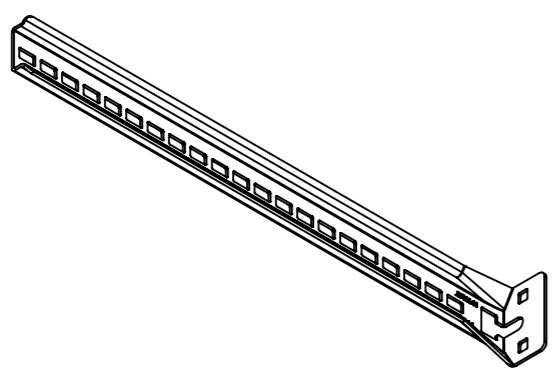
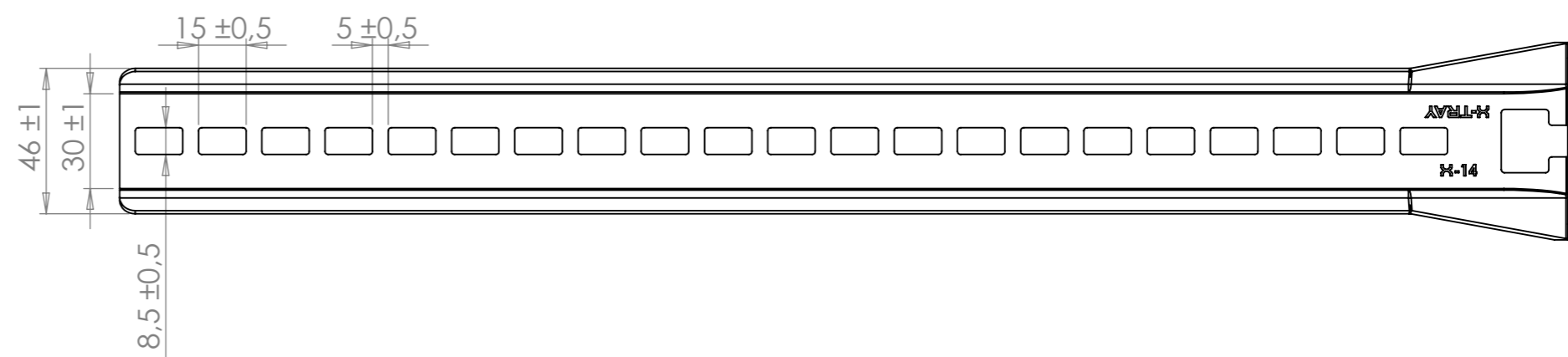
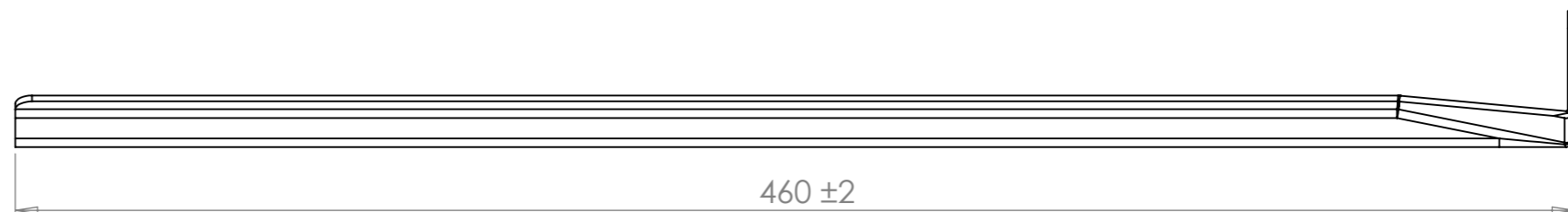
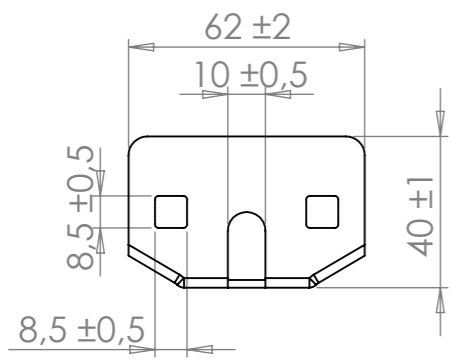


REVISIONS				
ZONE	REV.	DESCRIPTION	DATE	APPROVED
	B	E-number added	2019-07-31	joan



Article number	E-number	Type
2114-460	1133225	Zink plated DIN 50961
2214-460	1133277	Zinc-Nickel DIN 50979
2314-460	1133331	Acid proof AISI 316L
2714-460	1133395	Black Zinc Fe/Zn8/P4



C-number C-0006300-01
Description X14 Ceiling fitting 460
Unless otherwise specified: SS-ISO 2768-1 MEDIUM

Material	Finish / Color	Created By
Part / Assembly-ID Default(A-0006069)	Rev. A.0 Sheet Name Sheet1	suem
Drawing-ID KR-2014-460	Rev. B.1 Sheet A3	Created 2011-12-16
Weight (calculated) 0 g	Scale 1:5	Changed 2019-07-31 joan

