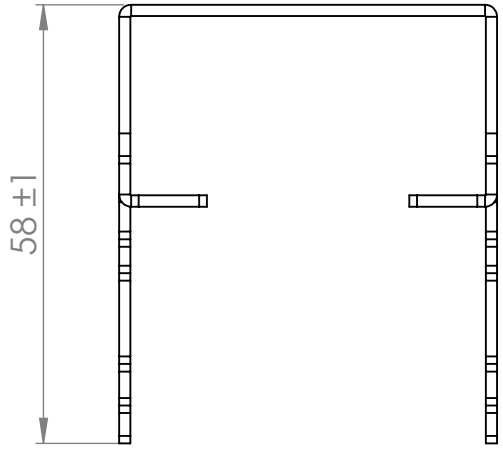
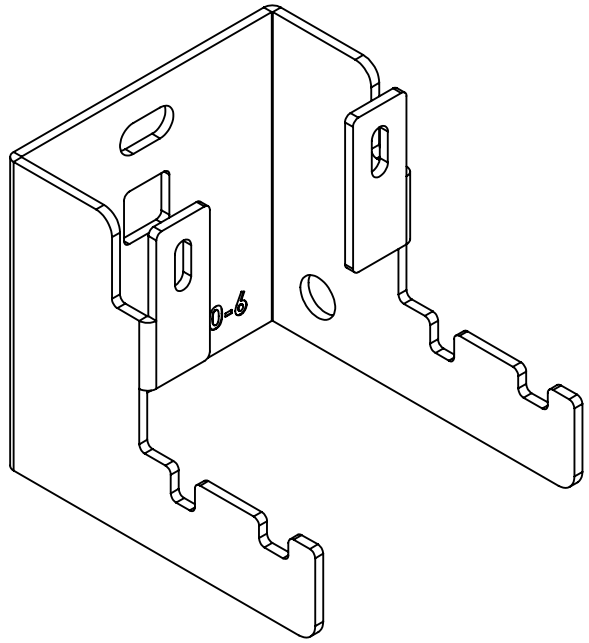
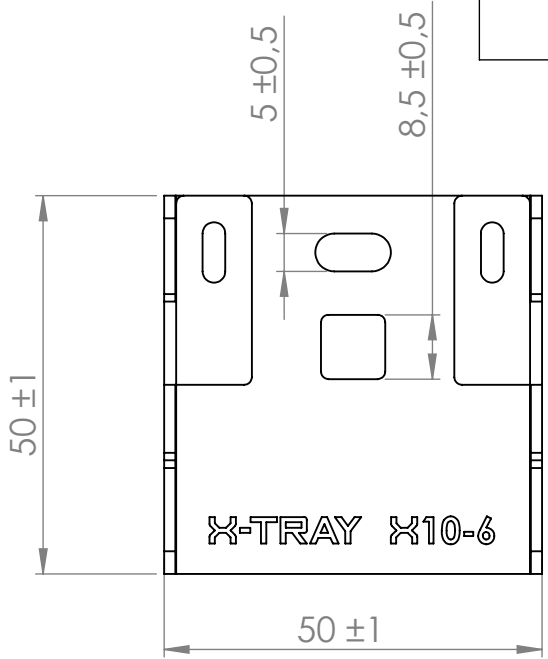
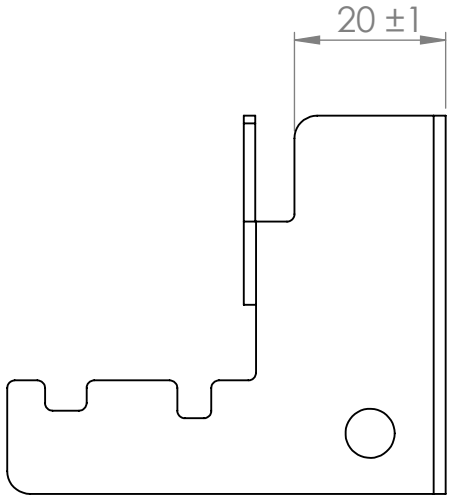


REVISIONS			
B	E-number added	2019-07-12	joan
C	Changed from Hot dip Galvanized to Zinc/Nickel	2021-02-17	svma



Part Number	E-number	Surface
2110-6	1133597	Zinc Plated DIN 50961
2210-6	1133598	Zinc/Nickel DIN 50979
2310-6	1133599	Acid Proof AISI 316L



C-number	
Description	X10 Bracket low side
Unless otherwise specified: SS-ISO 2768-1 MEDIUM	

Material	DC01	Finish / Color		Created By	svma
Part / Assembly-ID	Default(A-0008410)	Rev.	B.0	Sheet Name	2019-01-07
Drawing-ID	KR2010-6	Rev.	C.2	Sheet	Changed
Weight (calculated)	70 g	Scale	A3	2021-02-17	svma

