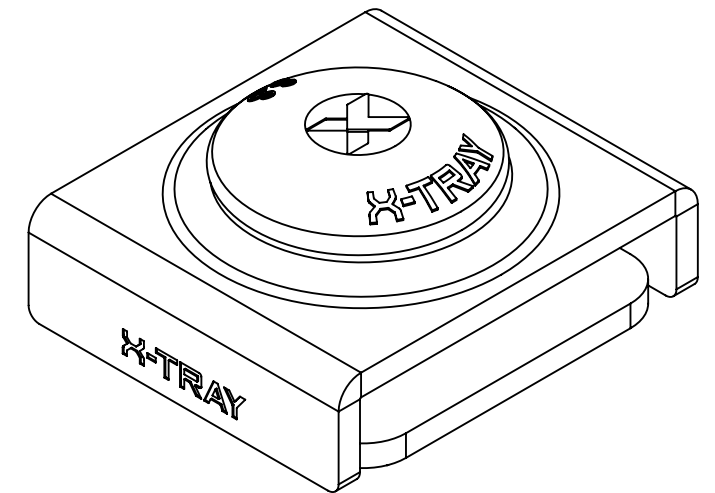
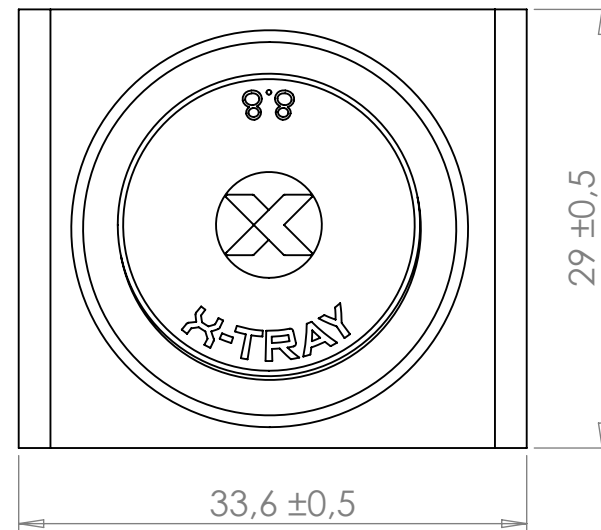
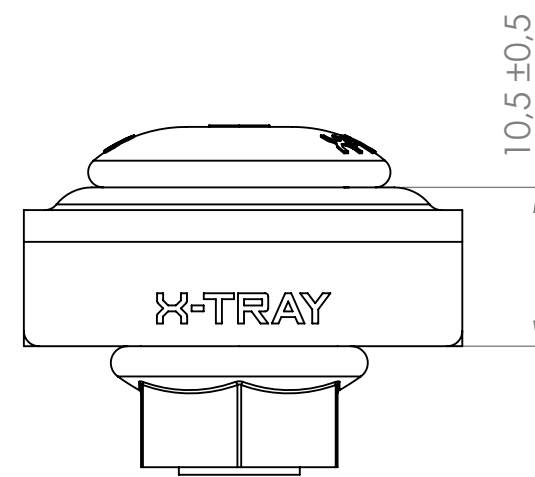
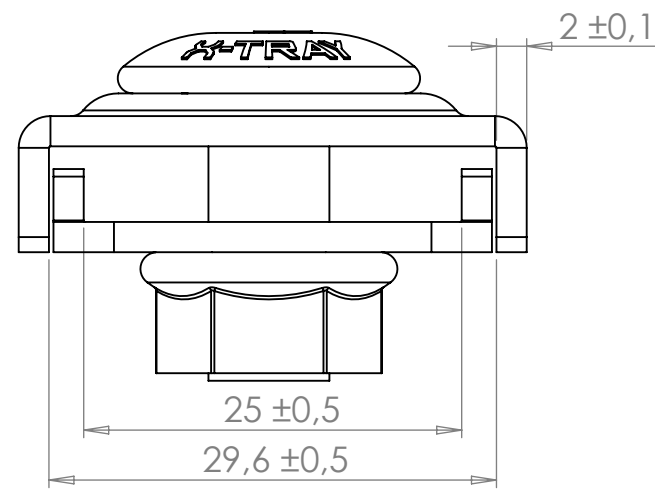
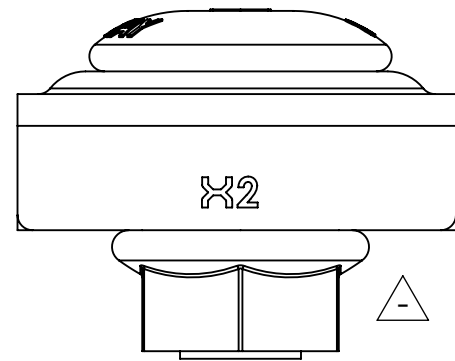


REVISIONS				
ZONE	REV.	DESCRIPTION	DATE	APPROVED
D7	-	Earth mark removed	2015-05-30	svma
	B	E-number added	2019-07-12	joan



Article number	E-number	Type
2102	1133212	Zink plated DIN 50961
2202	1133213	Zinc-Nickel DIN 50979
2302	1133214	Acid proof AISI 316L
2702	1133382	Black Zinc Fe/Zn8/P4



C-number C-0005252-01
Description X2 Fitting
Unless otherwise specified: SS-ISO 2768-1 MEDIUM

Material Part / Assembly-ID Default(A-0003569)	Rev. A.3	Sheet Name Sheet1	Created By svma
Drawing-ID KR-2002	Rev. C.0	Sheet A3	Created 2011-08-02
Weight (calculated) 55 g	Scale 2:1		Changed 2019-07-12
			joan

