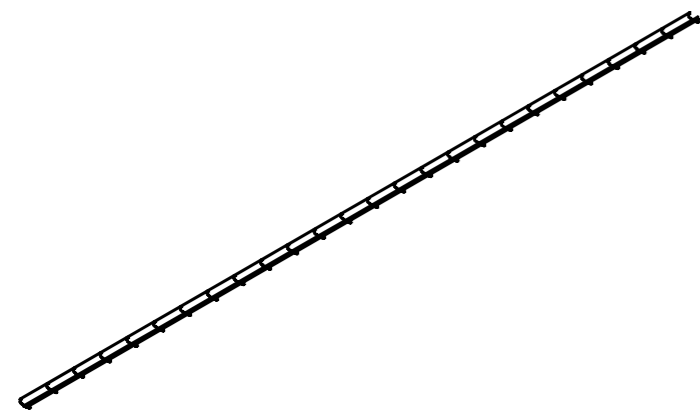
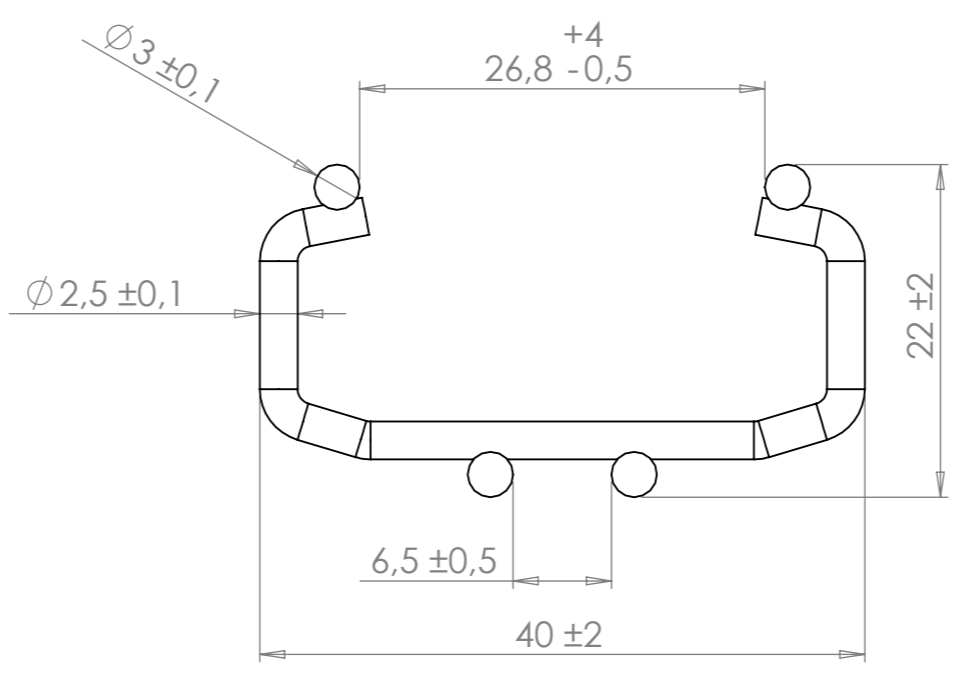
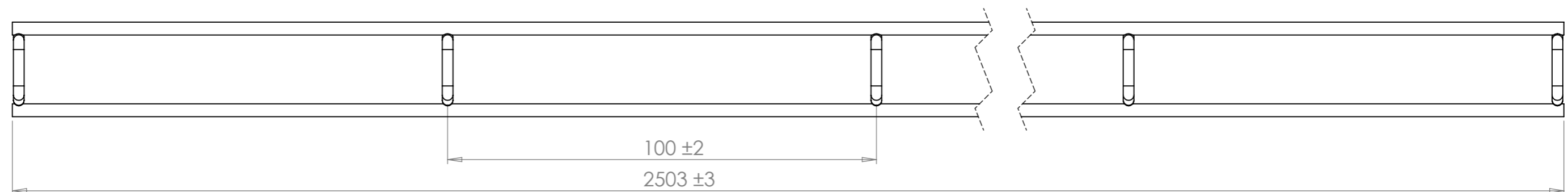


8 7 6 5 4 3 2 1

REVISIONS				
ZONE	REV.	DESCRIPTION	DATE	APPROVED
	A	E-number	2020-10-28	svma



Part Number	E-Number	Surface
1153	1133177	Zink plated DIN 50961
1253	1133185	Hot dip galvanized DIN 50979
1353	1133193	Acid proof AISI 316L
1453	1133201	Stainless Steel AISI 304L
1753	1133209	Black Zinc Fe/Zn8/P4



C-number C-0006198-01
Description 1053 X-Tray Mini 40x22x2500
Unless otherwise specified: SS-ISO 2768-1 MEDIUM

Material	Finish / Color	Created By
Part / Assembly-ID Default(A-0005785)	Rev. B.1	suem
Drawing-ID KR-1053	Rev. C.1	Created 2012-04-26
Weight (calculated) 0,63 kg	Scale 1:20	Changed 2022-03-31
		siwe

8 7 6 5 4 3 2 1