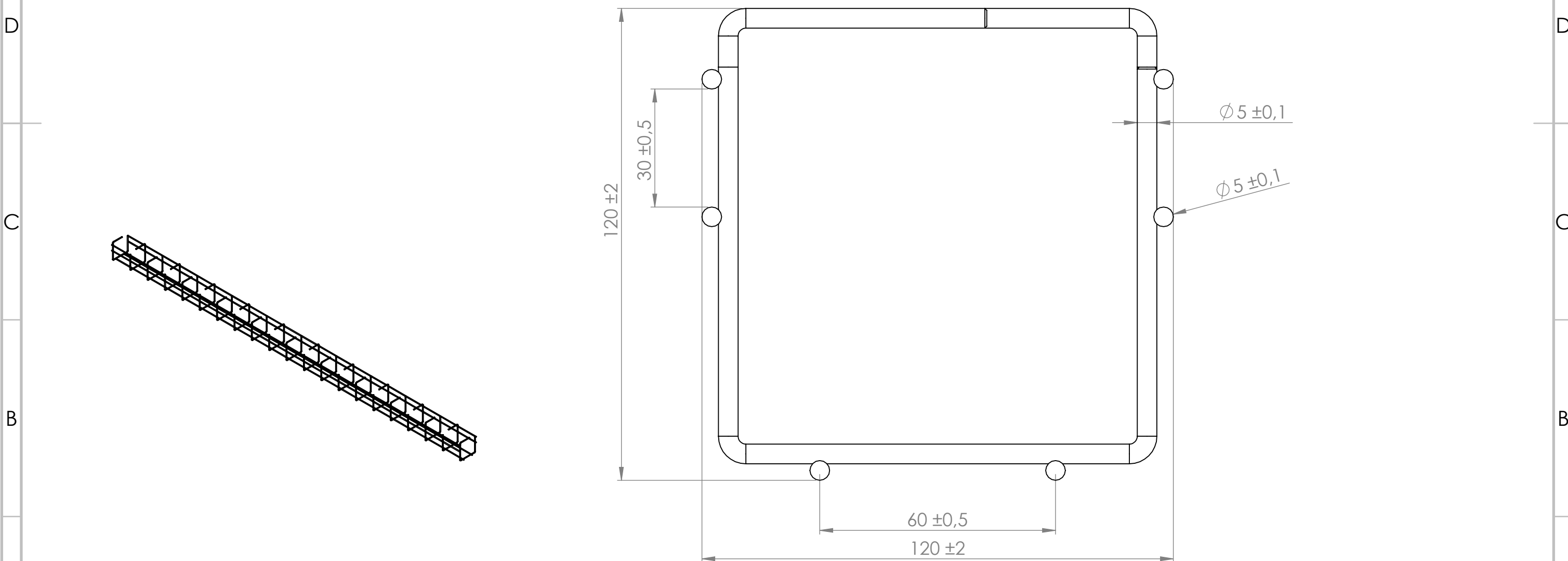
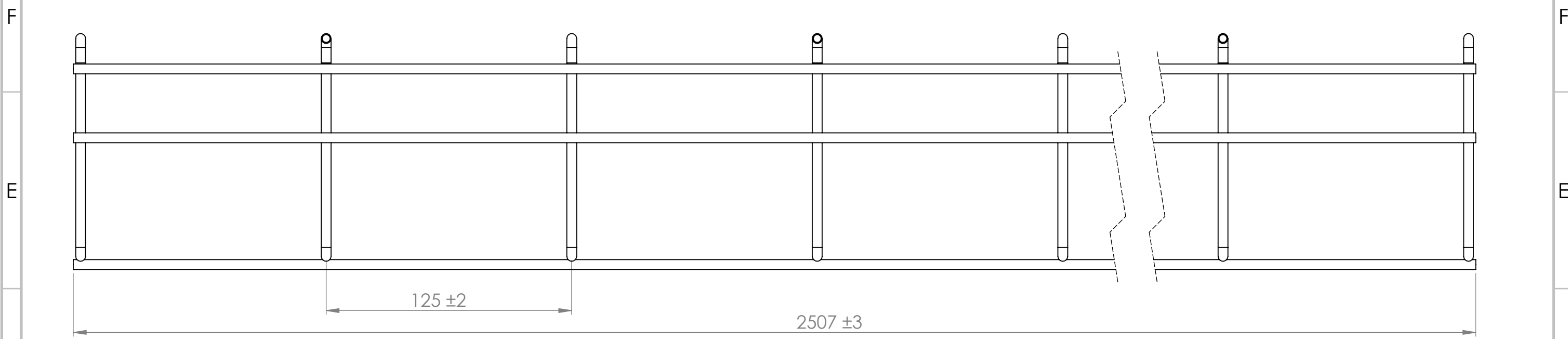


8 7 6 5 4 3 2 1

REVISIONS				
ZONE	REV.	DESCRIPTION	DATE	APPROVED
	A	E-Number	2020-10-28	svma



Part No.	E-Number	Surface Treatment
1145	1133072	Zinc Plated
1345	1133073	Acid Proof 316L
1445	1133074	Stainless Steel 304L



DWG NO. / ART NO.	Version B.1	Material	Finish / Color	Created By
Description		Part-ID Default(1045)	Sheet Name Sheet1	joan
X-Tray Z120x120x5x2500		Drawing-ID 1045-KR	Sheet A3	Created. 2017-06-13
Unless otherwise specified: SS-ISO 2768-1 MEDIUM		Weight (calculated) 3513.16 g	Scale 1:1	Changed. 2020-10-28 svma

8 7 6 5 4 3 2 1