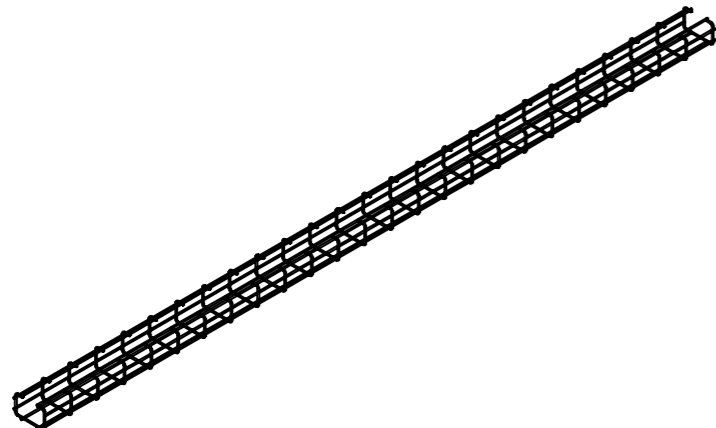
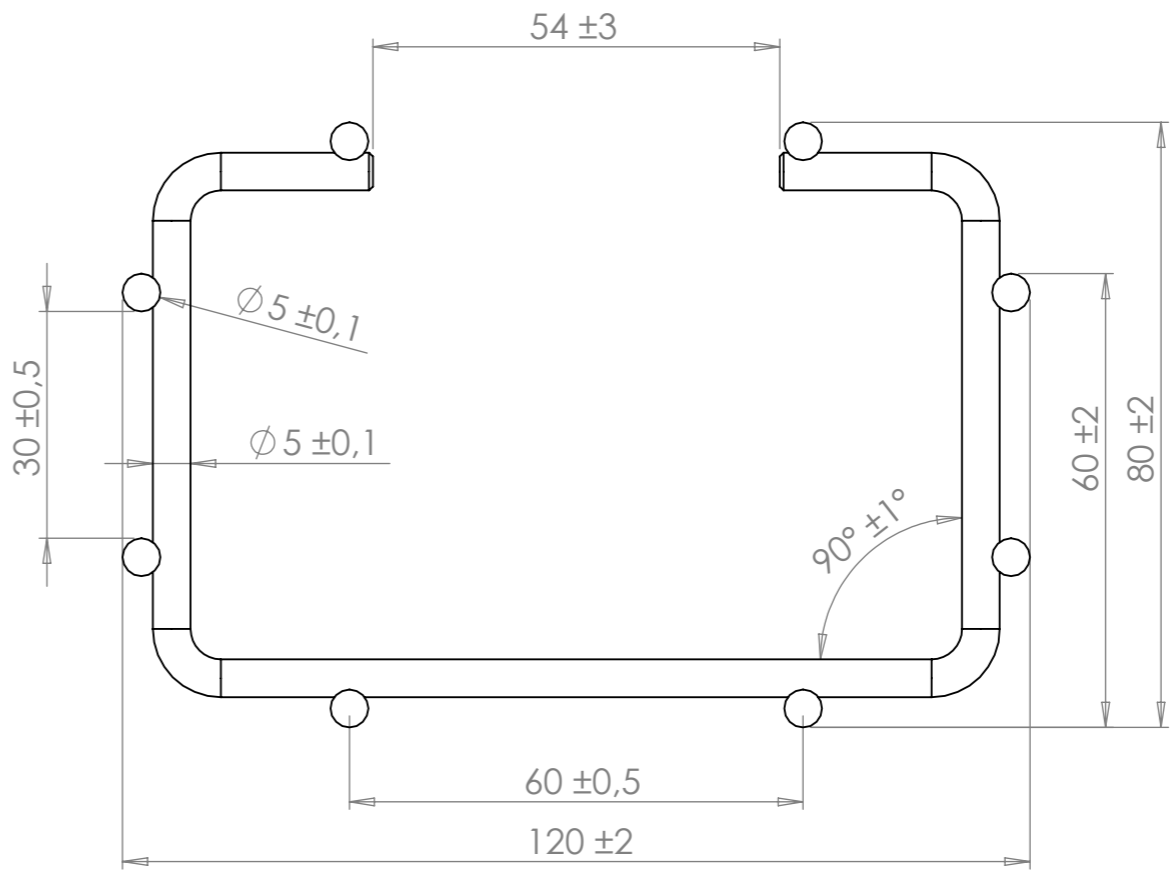
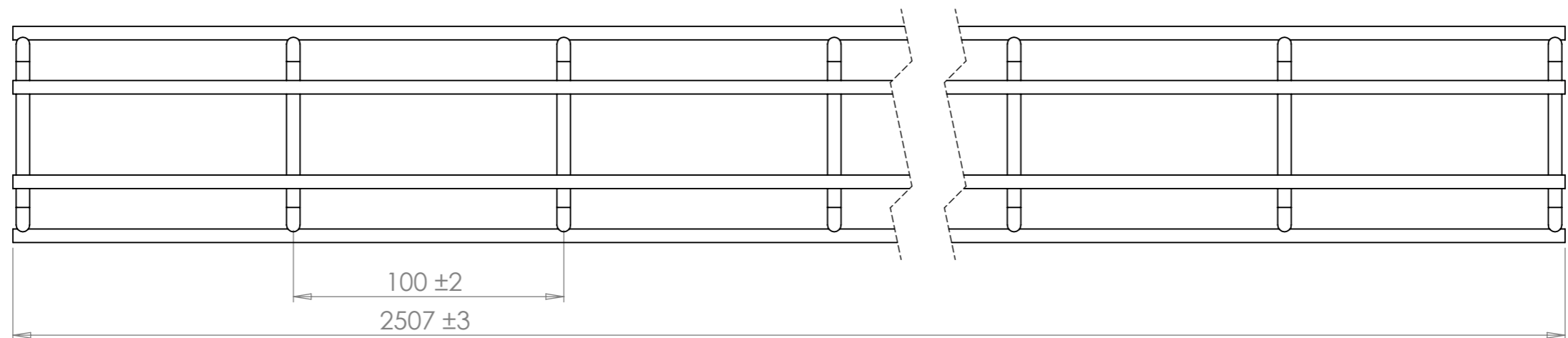


8 7 6 5 4 3 2 1

REVISIONS				
ZONE	REV.	DESCRIPTION	DATE	APPROVED
	A	E-Number	2020-10-28	svma



Part Number	E-Number	Surface
1110	1133171	Zink plated DIN 50961
1211	1133180	Hot dip galvanized DIN 50979
1311	1133188	Acid proof AISI 316L
1411	1133196	Stainless Steel AISI 304L



C-number	
Description	X-Tray C120x80x2500
Unless otherwise specified: SS-ISO 2768-1 MEDIUM	

Material	Part / Assembly-ID	Rev.	Sheet Name	Created By
	Default(A-0006775)	A.0	Sheet1	svem
	Drawing-ID	Rev.	Sheet	Created
	KR-1011	B.1	A3	2011-08-04
Weight (calculated)		Scale		Changed
4,23 kg		1:20		2020-10-28 svma

8 7 6 5 4 3 2 1