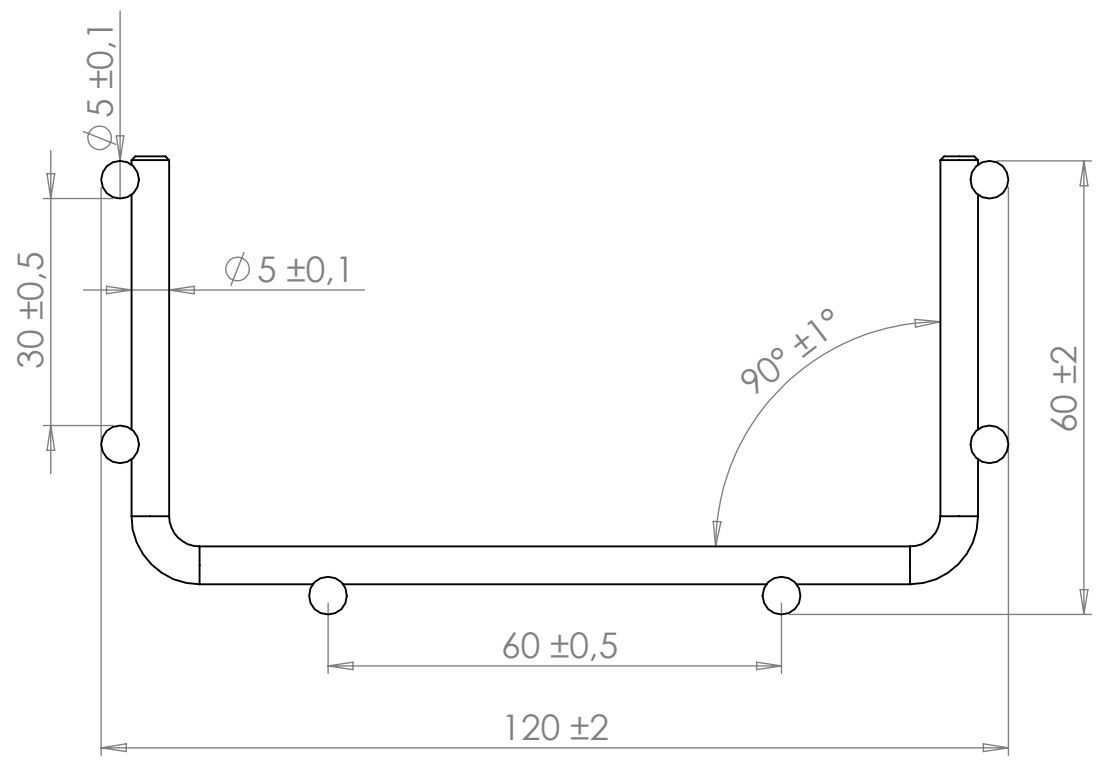
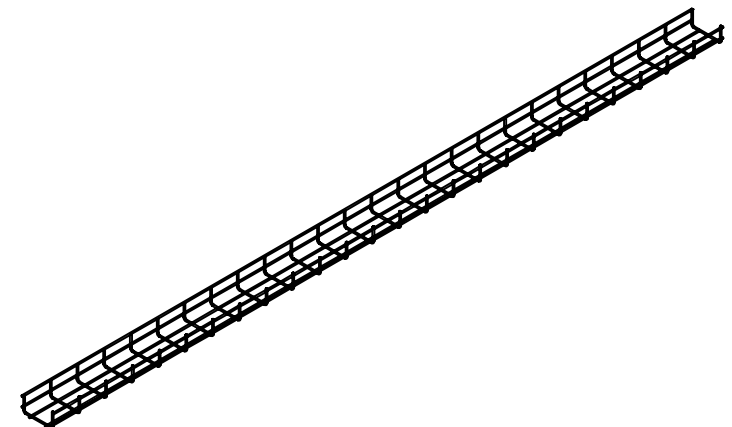
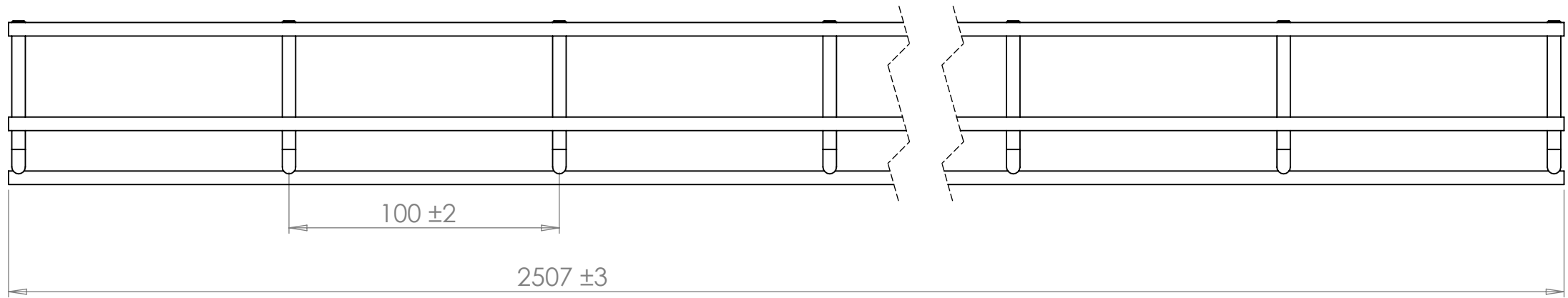


8 7 6 5 4 3 2 1

REVISIONS				
ZONE	REV.	DESCRIPTION	DATE	APPROVED
	A	E-Number	2020-10-27	svma

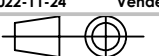


Part Number	E-Number	Surface
0111	1133101	Zink plated DIN 50961
0211	1133115	Hot dip galvanized DIN 50979
0311	1133129	Acid proof AISI 316L
0411	1133143	Stainless Steel AISI 304L



C-number C-0005752-01	Material
Description X-Tray 120x60x2500	Part / Assembly-ID Default(A-0005018)
Unless otherwise specified: SS-ISO 2768-1 MEDIUM	Rev. Sheet Name A.0 Sheet1
	Rev. Sheet C.0 A3
	Scale 1:20
	Weight (calculated) 3,16 kg

Finish / Color	Created By suem
	Created 2011-08-09
	Changed 2022-11-24
	Scale 1:20



8 7 6 5 4 3 2 1

F
E
D
C
B
A

F
E
D
C
B
A