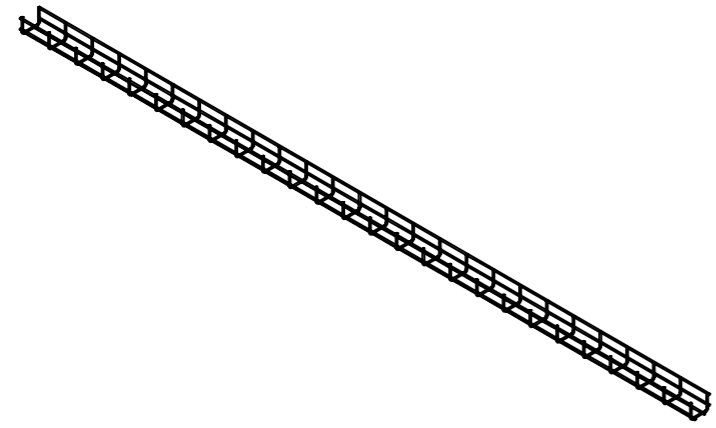
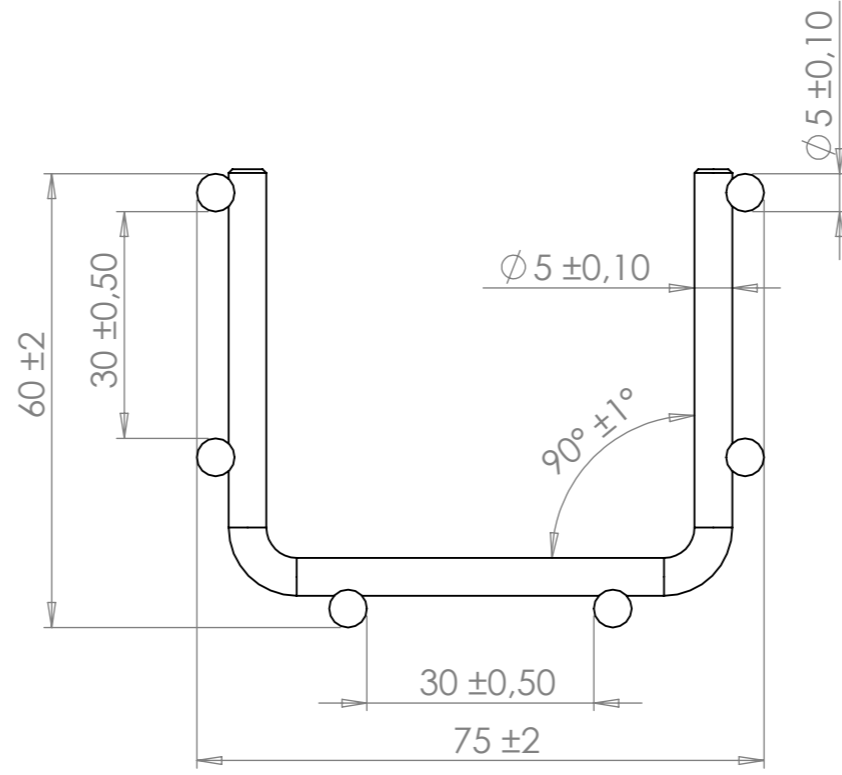
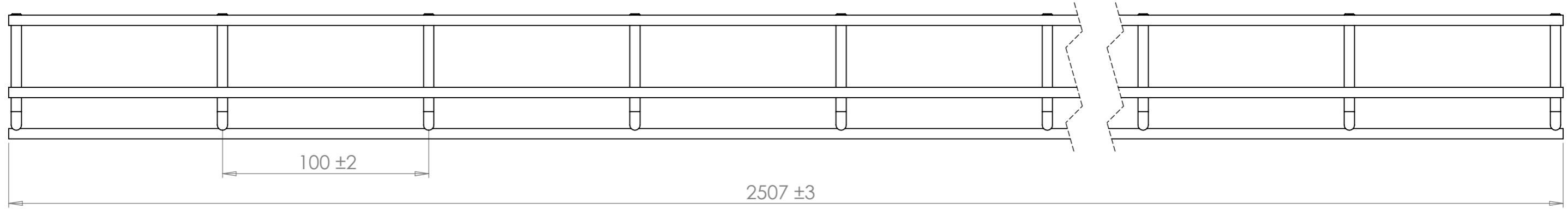


8 7 6 5 4 3 2 1

REVISIONS				
ZONE	REV.	DESCRIPTION	DATE	APPROVED
	A	E-Number	2020-10-27	svma



Article number	E-Number	Surface
0199-0755	1133113	Zink plated DIN 50961
0299-0755	1133127	Hot dip galvanized DIN 50979
0399-0755	1133141	Acid proof AISI 316L
0499-0755	1133155	Stainless Steel AISI 304L

© 2018 Axelent AB



C-number C-0005788-01	Material	Finish / Color	Created By suem
Description X-Tray 75x60x5x2500	Part / Assembly-ID Default(A-0005060)	Rev. A.0 Sheet Name Sheet1	Created 2012-12-12
Unless otherwise specified: SS-ISO 2768-1 MEDIUM	Drawing-ID KR-0099-0755	Rev. B.1 Sheet A3	Changed 2020-10-27 svma
	Weight (calculated) 2,97 kg	Scale 1:20	



8 7 6 5 4 3 2 1