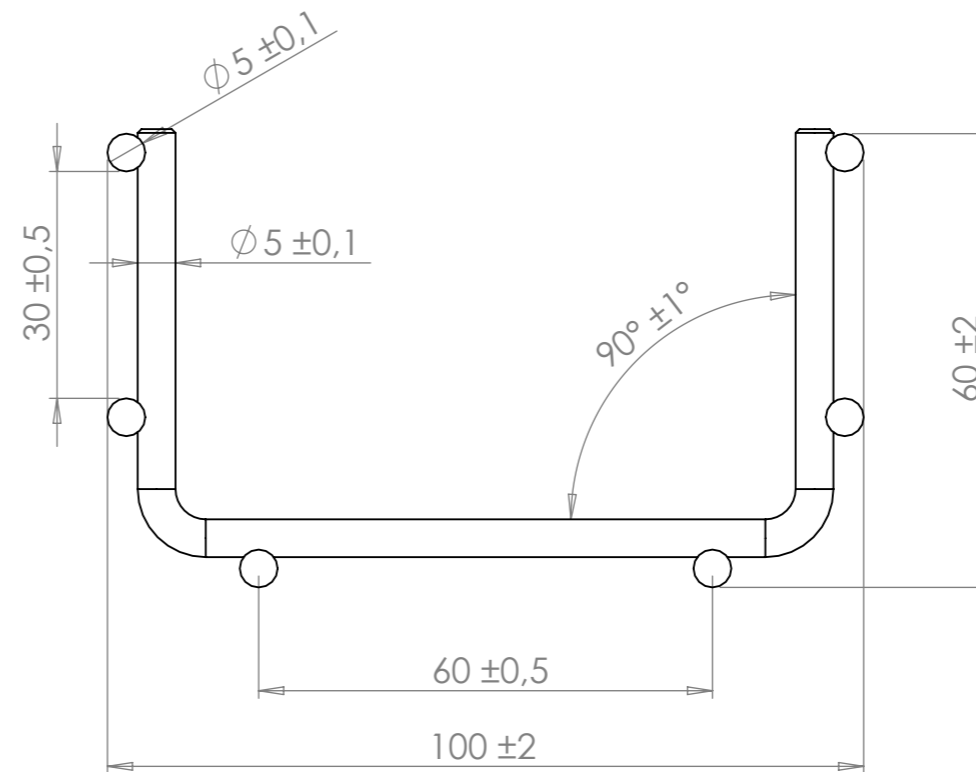
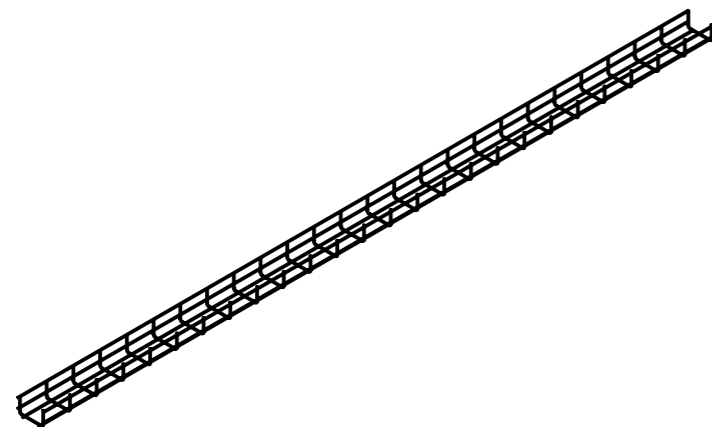
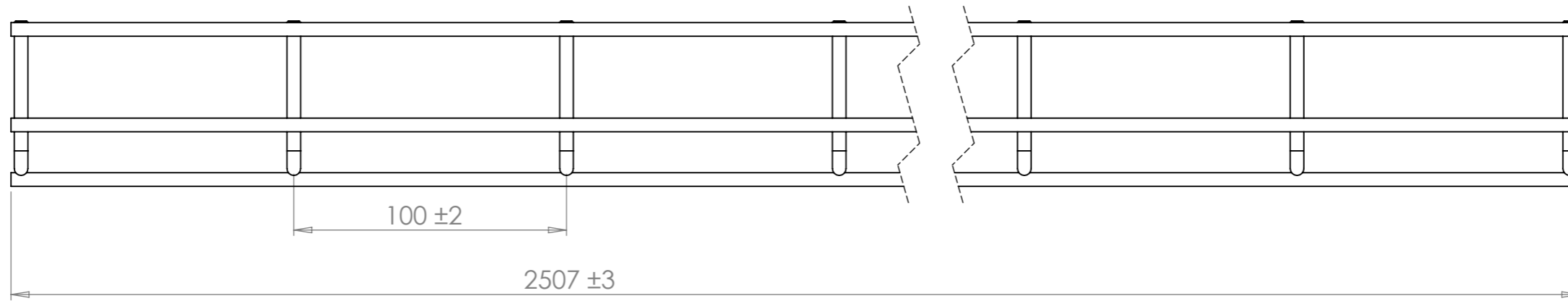


Rev no	Revision note	Date	Created by	Approved by



Article number	Material	Surface	Drawing number	SCALE:1:20	Sheet A3
0191-100		Zink plated DIN 50961	KR0091-100 C12-10	Date	09-02-2016
0291-100		Hot dip galvanized DIN 50976	Description X-Tray 100x60x2500	Created by Magnus Svensson	
0391-100		Acid proof AISI 316L		Approved by	
0491-100		Stainless Steel AISI 304L	Drawing and design is the copyright of Axelent Wire Tray AB and must not be copied without prior consent		
Unless otherwise specified: Dimensions are in MM			WEIGHT:		3,16KG