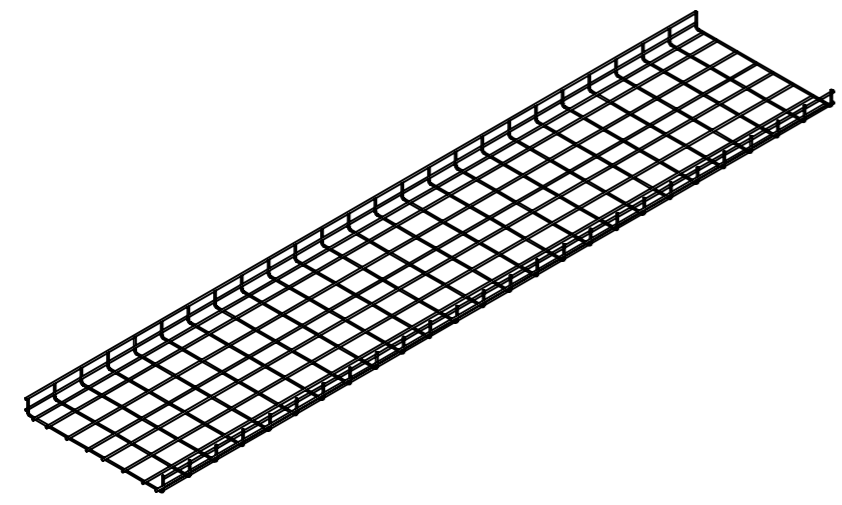
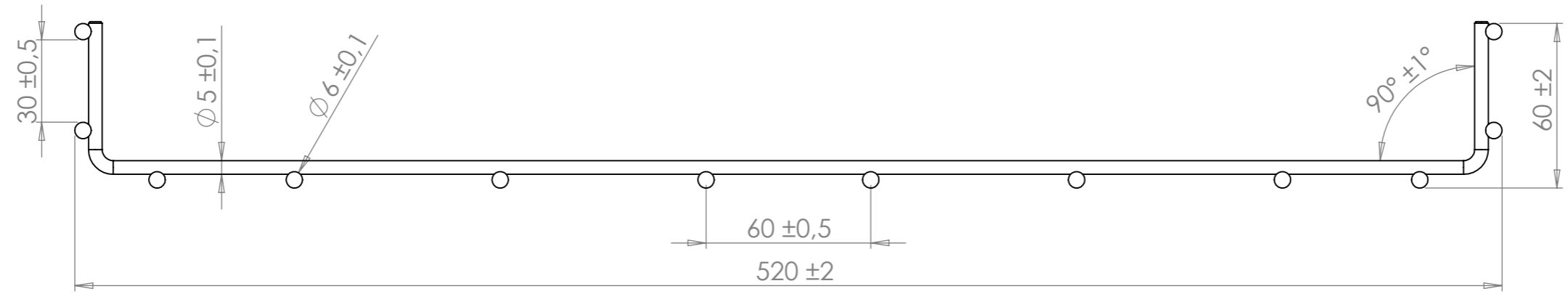
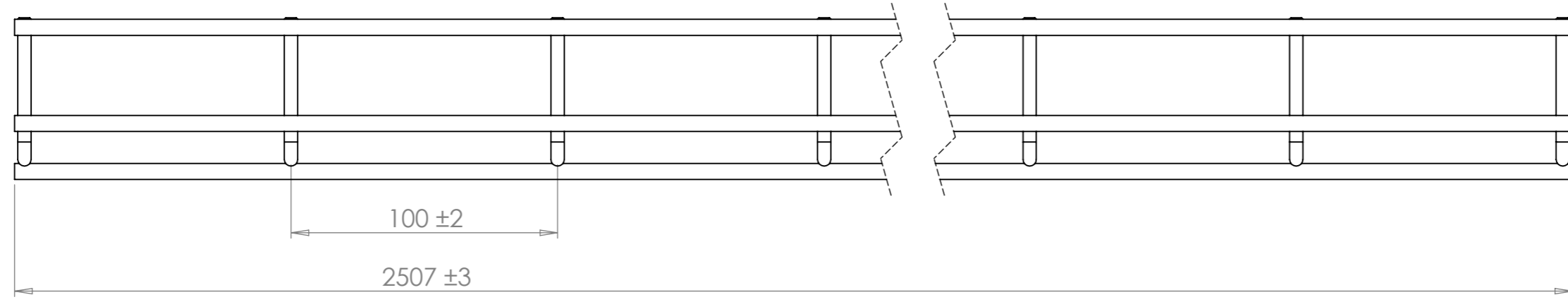


8 7 6 5 4 3 2 1

REVISIONS				
ZONE	REV.	DESCRIPTION	DATE	APPROVED
	A	E-Number	2020-10-27	svma



Part Number	E-Number	Surface
0151	1133440	Zink plated DIN 50961
0251	1133452	Hot dip galvanized DIN 50979
0351	1133457	Acid proof AISI 316L
0451	1133462	Stainless Steel AISI 304L



C-number C-0005774-01	Material
Description X-Tray 520x60x2500	Part / Assembly-ID Default(A-0005045)
Unless otherwise specified: SS-ISO 2768-1 MEDIUM	Rev. Sheet Name A.0 Sheet1
	Rev. Sheet B.1 A3
	Scale 1:20
	Weight (calculated) 9,08 kg

Finish / Color	Created By svem
Created 2012-01-16	Changed 2020-10-27
Changed svma	

8 7 6 5 4 3 2 1