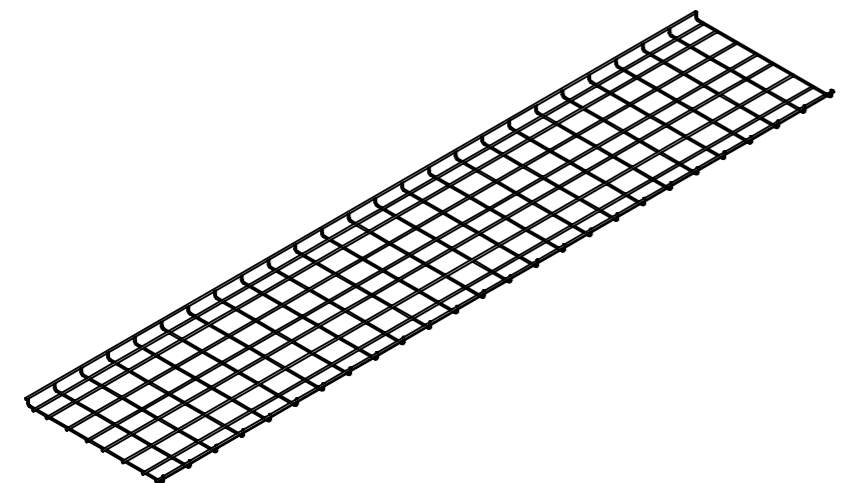
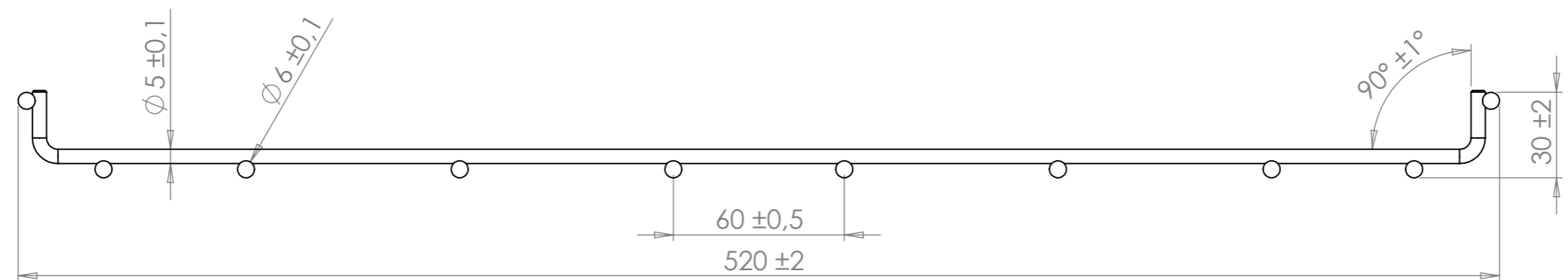
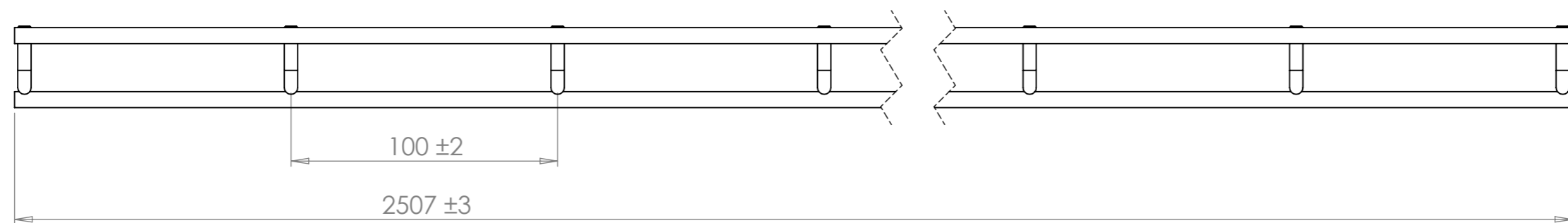


8 7 6 5 4 3 2 1

REVISIONS				
ZONE	REV.	DESCRIPTION	DATE	APPROVED
	A	E-Number	2020-10-27	svma



Part Number	E-Number	Surface
0150	1133034	Zink plated DIN 50961
0250	1133041	Hot dip galvanized DIN 50979
0350	1133048	Acid proof AISI 316L
0450	1133055	Stainless Steel AISI 304L



C-number <b>C-0005771-01</b>	Material	Finish / Color	Created By <b>suem</b>
Description <b>X-Tray 520x30x2500</b>	Part / Assembly-ID <b>Default(A-0005043)</b>	Rev. <b>A.0</b> Sheet Name <b>Sheet1</b>	Created <b>2012-01-16</b>
Unless otherwise specified: SS-ISO 2768-1 MEDIUM	Drawing-ID <b>KR-0050</b>	Rev. <b>B.1</b> Sheet <b>A3</b>	Changed <b>2020-10-27</b> <b>svma</b>
	Weight (calculated) <b>7,73 kg</b>	Scale <b>1:20</b>	

8 7 6 5 4 3 2 1